



Dominion

Building Products

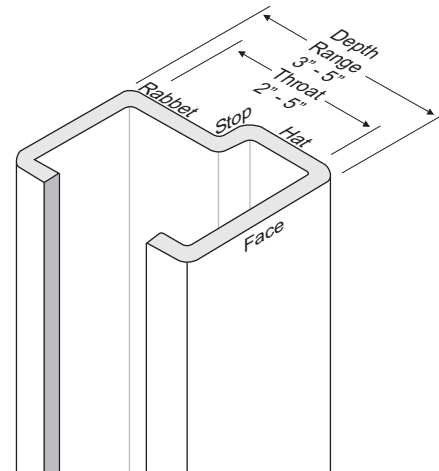
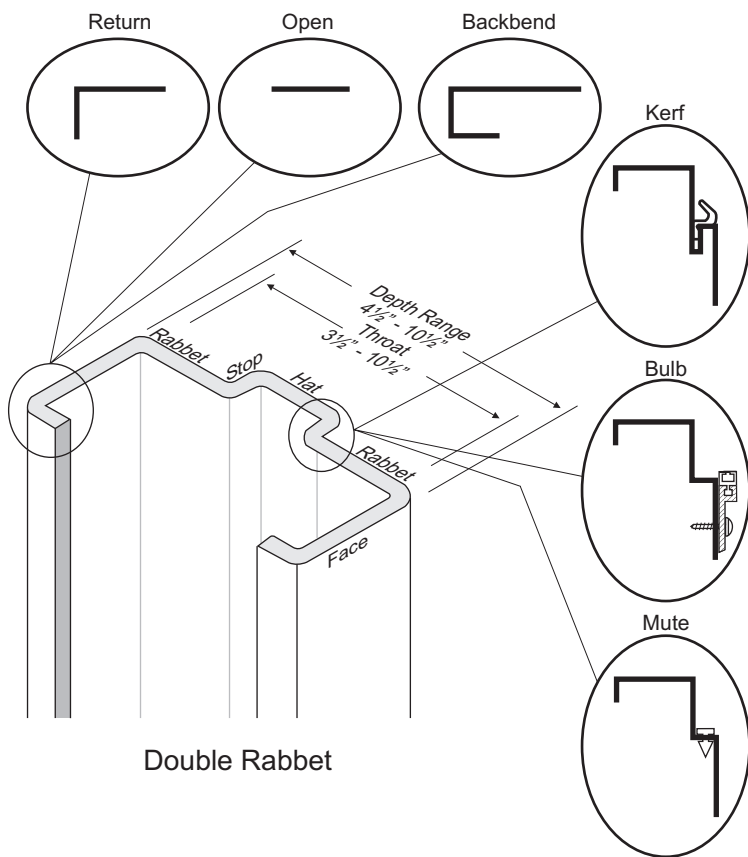
Frame Details

Let us help you choose the right frame for your application in 4 easy steps...

- 1 Select Style (double rabbet or single)
- 2 Specify Size (depth & throat)
- 3 Select Face Style (return, open or backband)
- 4 Select Stop/Weatherstrip (kerf, bulb, or mute)

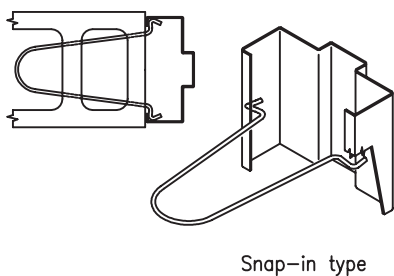
Dominion Competitive Edge:

- Most frames come Galvanneal Standard
- Minimum of 16 ga thickness
- Minimum hinge reinforcements 7 ga
- Full mortise hinges standard
- Reversible or Handed Frames
- Wrap Around or Flush Mount styles
- Optional Structural Subframe to act as your framed opening

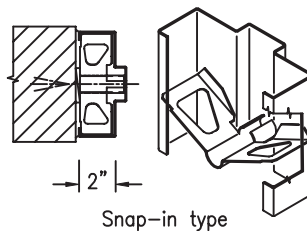


Features and Accessories

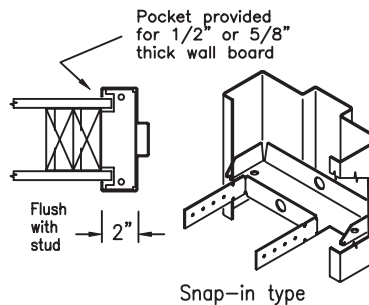
Wire Masonry Anchor WMA



Existing Opening Anchor Standard EO



Wood Stud Anchor WS



Metal Stud Anchor MS

