

Dominion Building Products

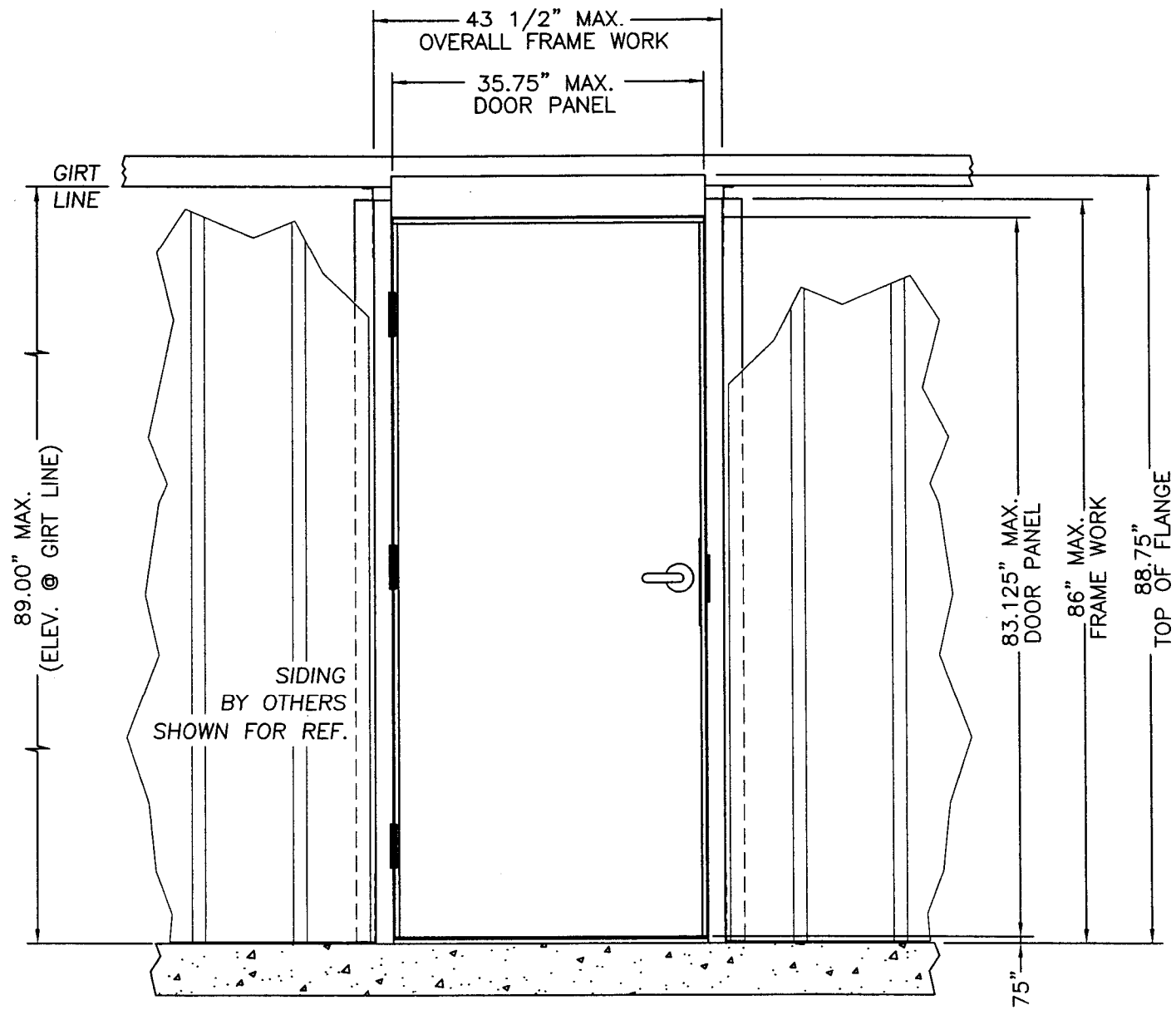
6949 Fairbanks N. Houston,
Houston, Texas 77040
PH: 713-466-6790

"ULTRA" STEEL DOOR & FRAME SYSTEM FOR METAL BUILDINGS 3'0 x 7'0 SINGLE DOOR

GENERAL NOTES

1. THIS PRODUCT IS EVALUATED TO COMPLY WITH THE FLORIDA BUILDING CODE. (FOR USE OUTSIDE OF THE "HVHZ" AREA)
2. PRODUCT ANCHORS SHALL BE AS LISTED AND SPACED AS SHOWN ON DETAILS. ANCHOR EMBEDMENT TO BASE MATERIAL SHALL BE BEYOND WALL DRESSING.
3. MAIN WIND FORCE RESISTING SYSTEM (MWFRS) COMPONENT SPACING TO BE DETERMINED BY OTHERS.
4. ENGINEER OF RECORD SHALL EVALUATE THE SUB-JAMB FOR ADDITIONAL WINDLOADS FROM COMPONENTS AND CLADDING ELEMENTS SUCH AS WALL PANELS AND INTERMEDIATE GIRTS.

TABLE OF CONTENTS	
SHEET #	DESCRIPTION
1	TYPICAL ELEVATIONS, GENERAL NOTES & INSTALL. VIEW
2	BILL OF MATERIALS AND DOOR CROSS SECTIONS
3	ANCHORING LOCATIONS AND SECTIONS
4	METAL STUD ANCHORING LOCATIONS AND SECTIONS



(VIEWED FROM EXTERIOR)

3'0 x 7'0 "ULTRA" STEEL DOOR & STEEL FRAME SYSTEM
(METAL BUILDING INSTALLATION)

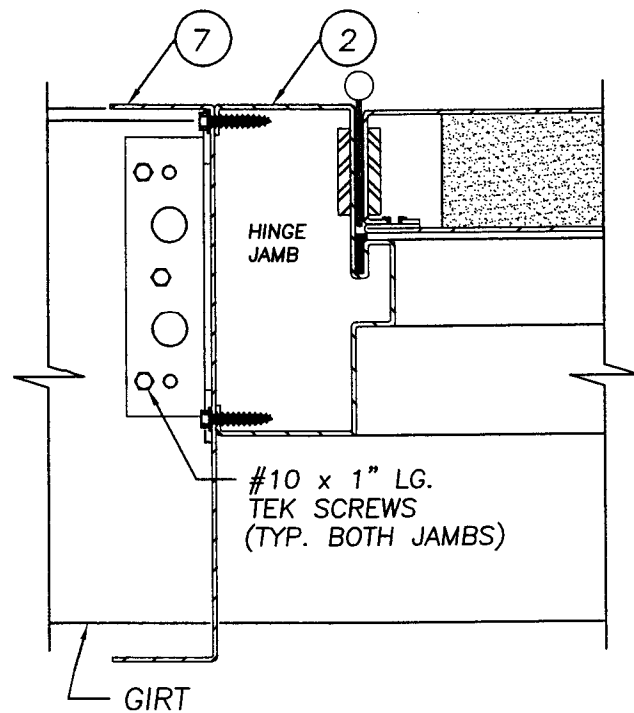
DESIGN PRESSURE RATING (OUTSWING SINGLE DOOR ONLY)	
POSITIVE	+ 55 PSF
NEGATIVE	- 55 PSF

Documents Prepared By:
RW BUILDING CONSULTANTS, INC.
P.O. Box 230 Valrico FL 33595
Phone No.: 813.659.9197
Florida Board of Professional Engineers
Certificate Of Authorization No. 9813
5/05/04
Wendell W. Hanley, P.E. NO. 54158

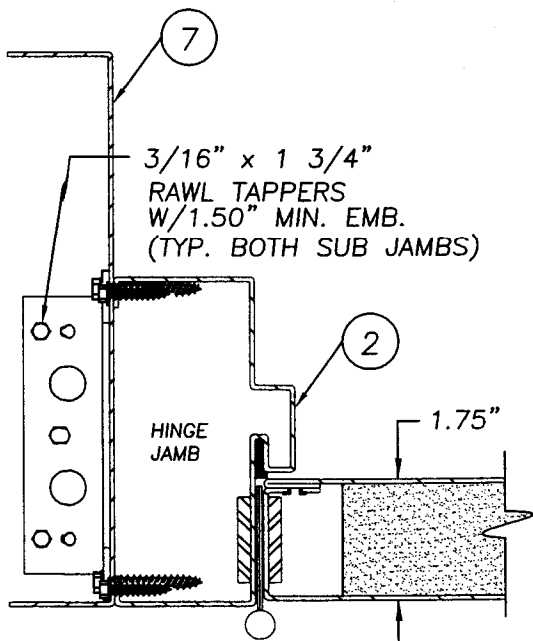
PRODUCT:
ULTRA
STEEL DOOR & FRAME SYSTEM
FOR METAL BUILDINGS
PART OR ASSEMBLY:
TYPICAL ELEVATIONS &
GENERAL NOTES

NO.	DATE	BY	REVISIONS

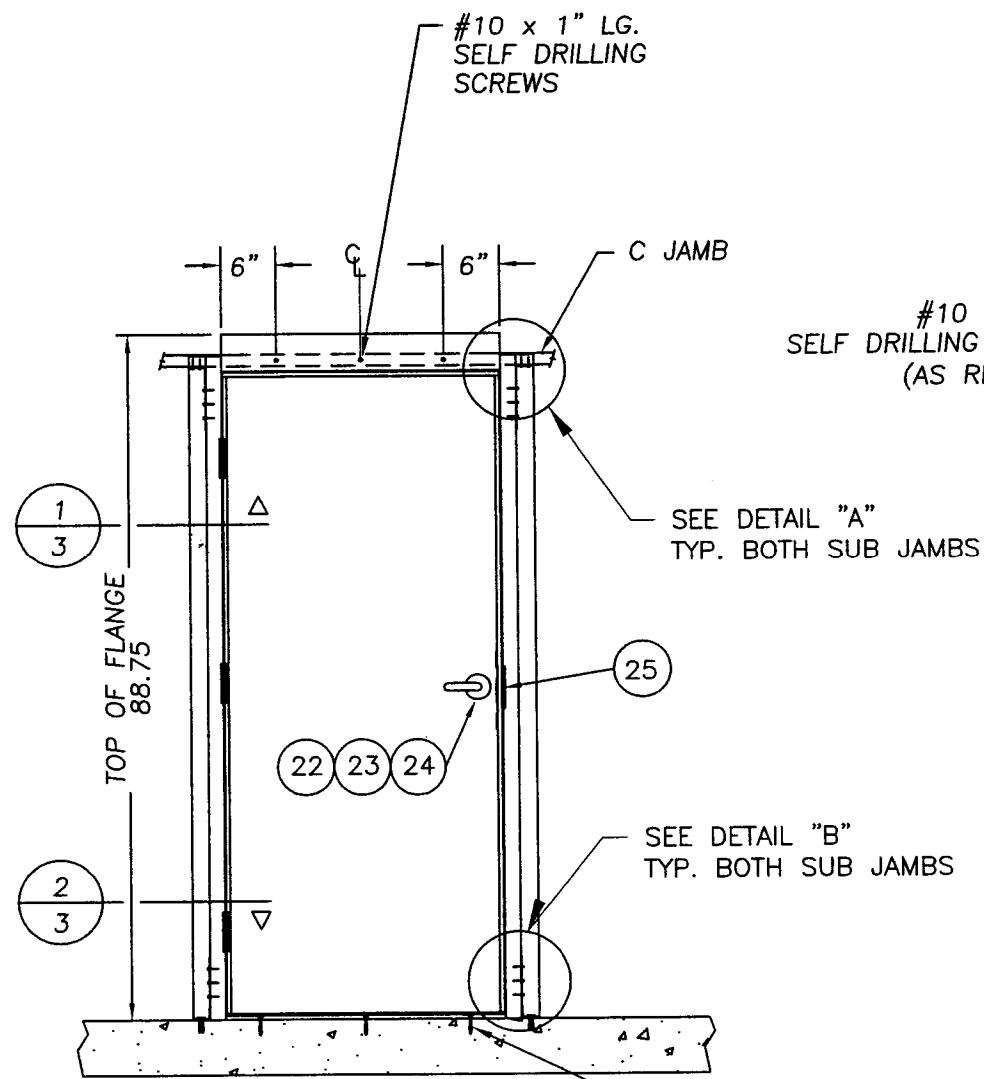
DATE: 03/30/04
SCALE: N.T.S.
DWG. BY: EKW
CHK. BY: WH
DRAWING NO.:
FL-200
SHEET 1 OF 4



1 SECTION
3 SUB-JAMB ANCHORING TO GIRT

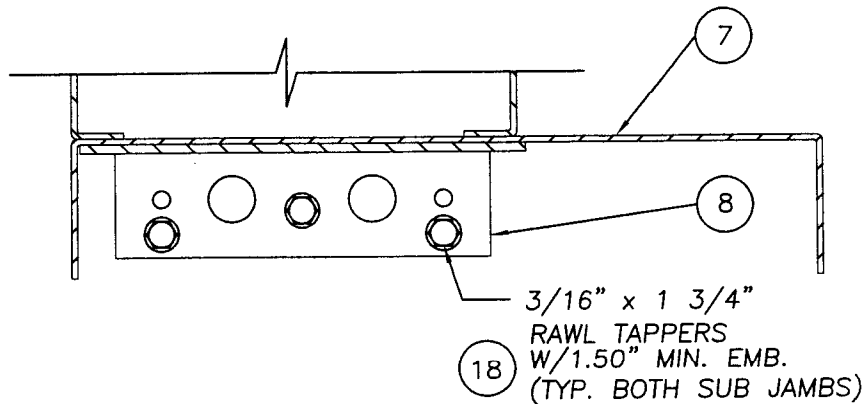


2 SECTION
3 SUB-JAMB ANCHORING TO FLOOR

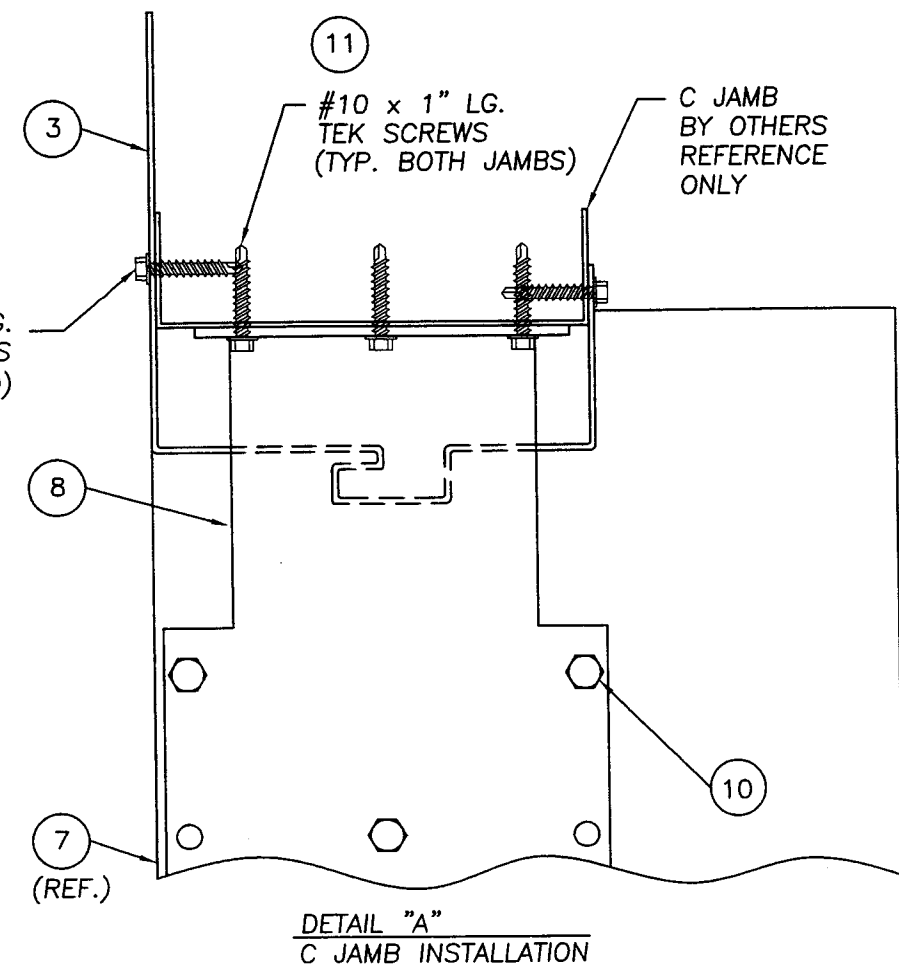


ANCHOR SPACING
SINGLE OPENING

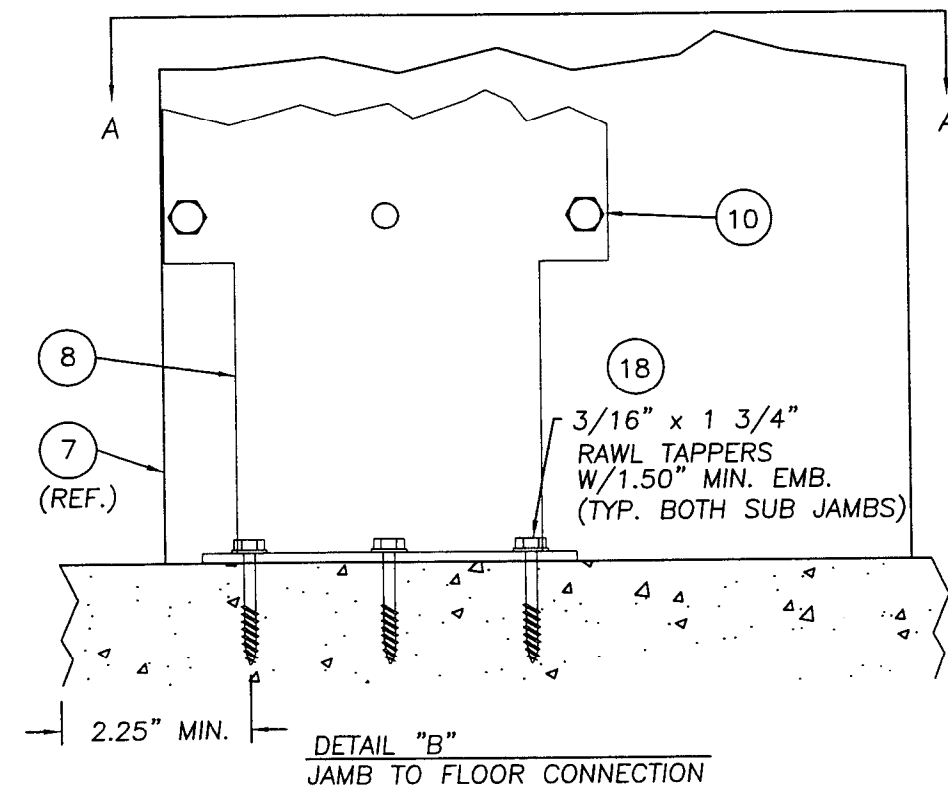
VIEW A - A



18
3/16" x 1 3/4"
RAWL TAPPERS
W/1.50" MIN. EMB.
(TYP. BOTH SUB JAMBS)



DETAIL "A"
C JAMB INSTALLATION



DETAIL "B"
JAMB TO FLOOR CONNECTION

Documents Prepared By: **RW** BUILDING CONSULTANTS, INC.
P.O. Box 230 Vero Beach, FL 33595
Phone No: 813.659.9197
Florida Board of Professional Engineers
Certificate of Authorization No. 9813
Wendell W. Henny, P.E. No. 34158
5/05/04

PRODUCT: ULTRA STEEL DOOR & FRAME SYSTEM FOR METAL STUD CONSTRUCTION
PART OR ASSEMBLY: ANCHOR LOCATIONS & SECTIONS

NO.	DATE	BY	REVISIONS

DATE: 03/25/04
SCALE: N.T.S.
DWG. BY: EKW
CHK. BY: RW
DRAWING NO.: FL-200
SHEET 4 OF 4