



Knock Down Frames - Table of Contents

8-1-99

8-1/4" Depth Kerfed 6.1

Single Swing Frames/Non-Handed  
Pedestrian Door Frame Head  
Pedestrian Door Frame Hinge Jamb  
Pedestrian Door Frame Strike Jamb  
Sill Section  
Head to Girt Clip and Screw Pack  
K. D. Frame Assembly Details

5-3/4" Depth Kerfed 6.2

Single Swing Frames/Non-Handed  
Pedestrian Door Frame Head  
Pedestrian Door Frame Hinge Jamb  
Pedestrian Door Frame Strike Jamb  
K. D. Frame Assembly Details

8-1/4" Depth 6.3

Single Swing Frames/Non-Handed  
Pedestrian Door Frame Head  
Pedestrian Door Frame Hinge Jamb  
Pedestrian Door Frame Strike Jamb  
K. D. Frame Assembly Details

8-5/8" Depth Kerfed 6.4

Single Swing Frames/Non-Handed  
Pedestrian Door Frame Head  
Pedestrian Door Frame Hinge Jamb  
Pedestrian Door Frame Strike Jamb  
K. D. Frame Assembly Details

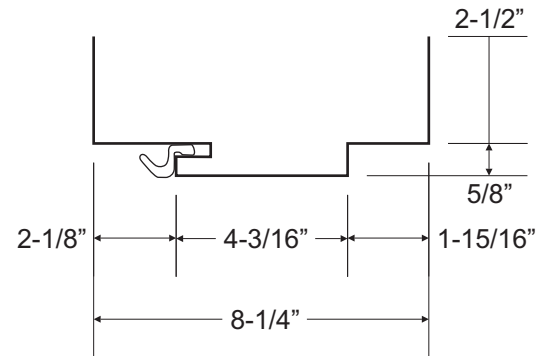
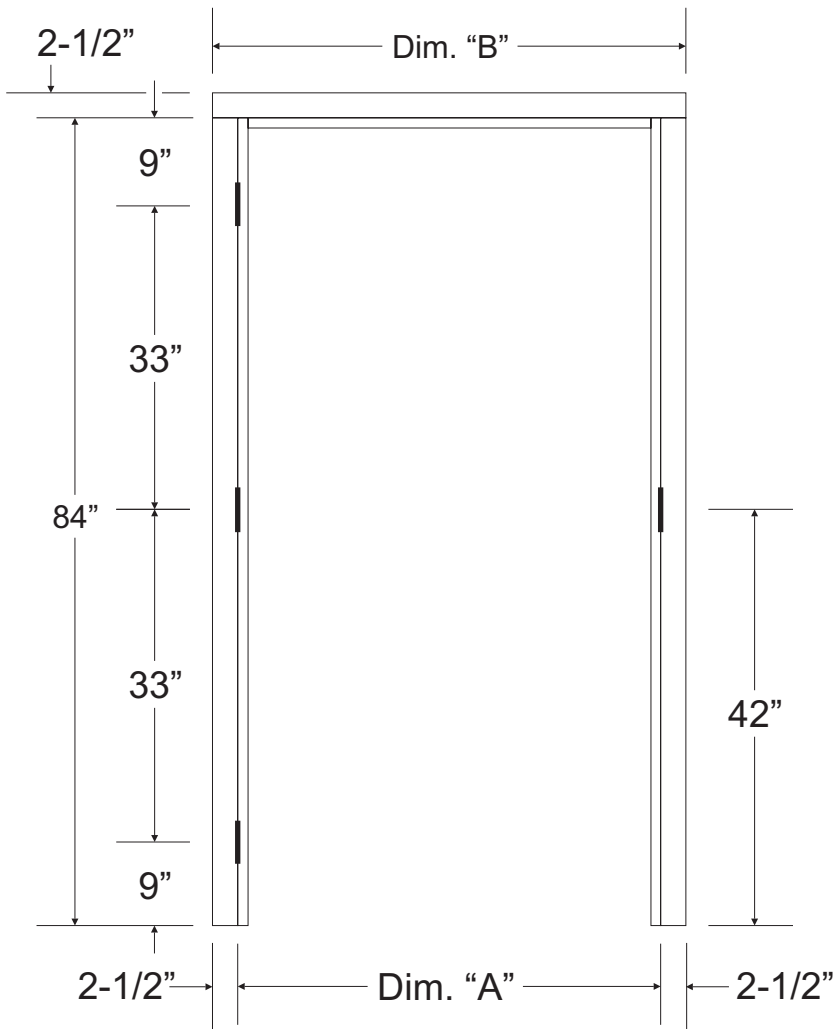
5-3/4" Depth 6.5

Single Swing Frames/Non-Handed  
Pedestrian Door Frame Head  
Pedestrian Door Frame Hinge Jamb  
Pedestrian Door Frame Strike Jamb  
K. D. Frame Assembly Details



8-1/4" Depth Kerfed

8-1-99



(1) These components and associated fasteners are finished painted PC3 TRU WHITE or PC4 BRONZE

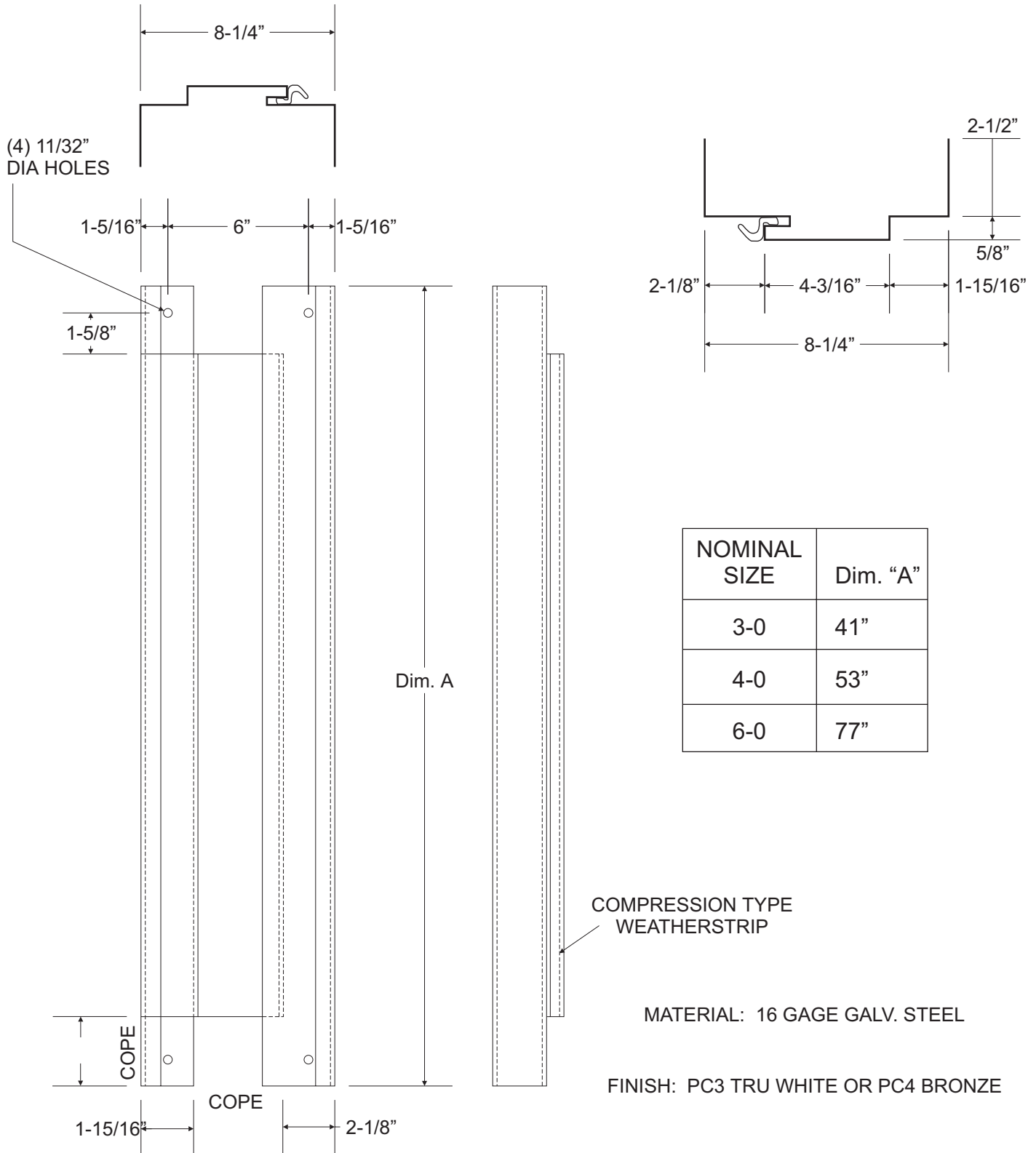
Each frame package is individually boxed in a corrugated carton.

DOOR FRAME PACKAGE	3070 door opg.	4070 door opg.	6070 door opg.
Dim. "A"	36"	48"	72"
Dim. "B"	41"	53"	77"



8-1/4" Depth Kerfed

8-1-99

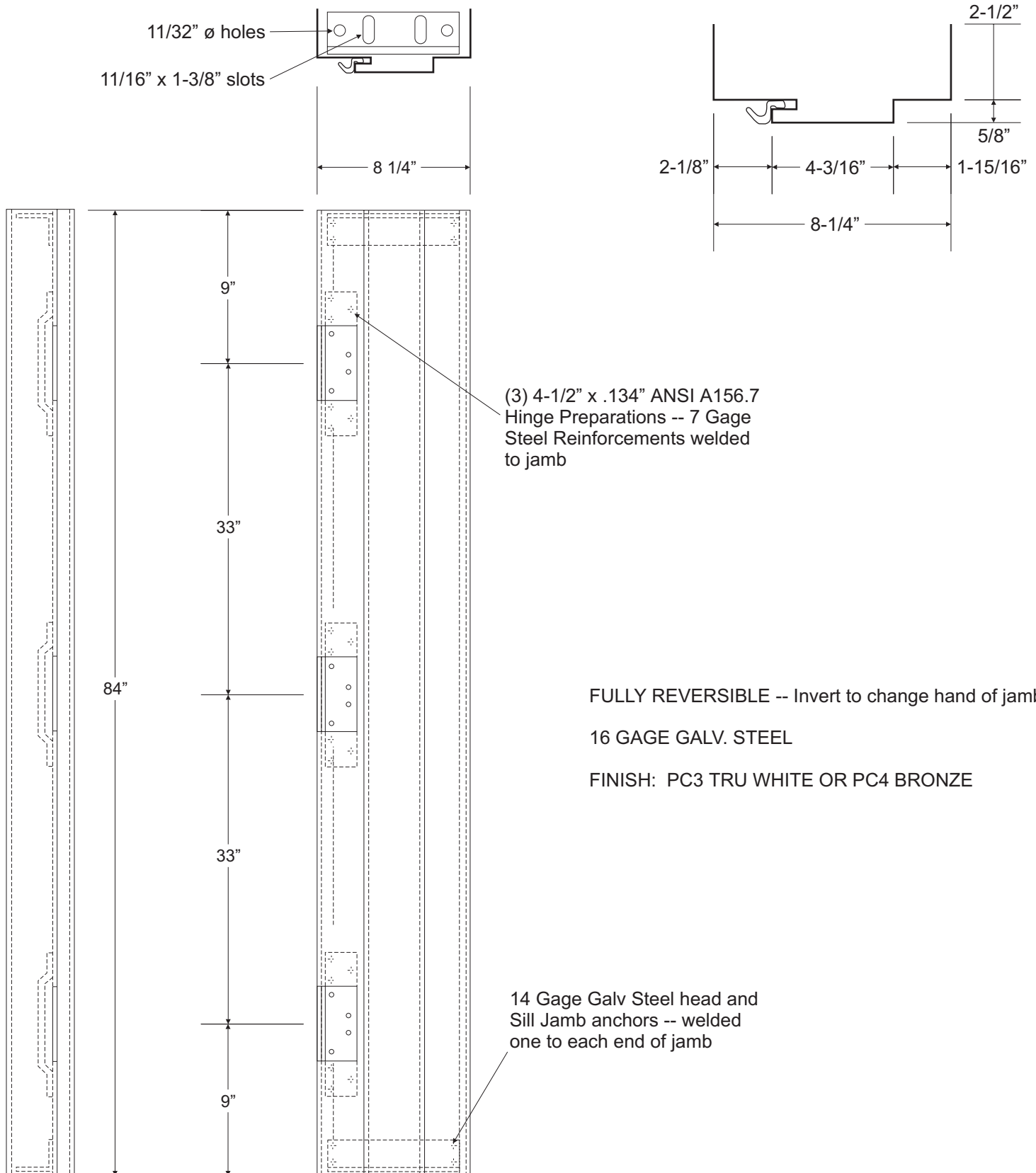


NOMINAL SIZE	Dim. "A"
3-0	41"
4-0	53"
6-0	77"



8-1/4" Depth Kerfed

8-1-99



FULLY REVERSIBLE -- Invert to change hand of jamb

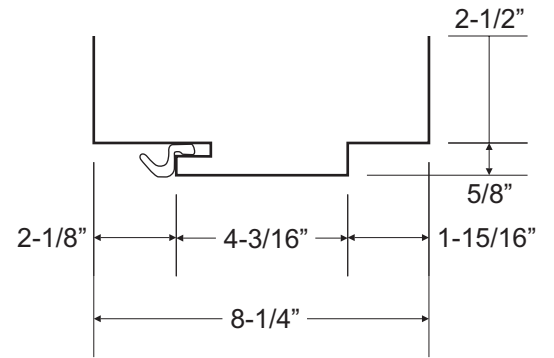
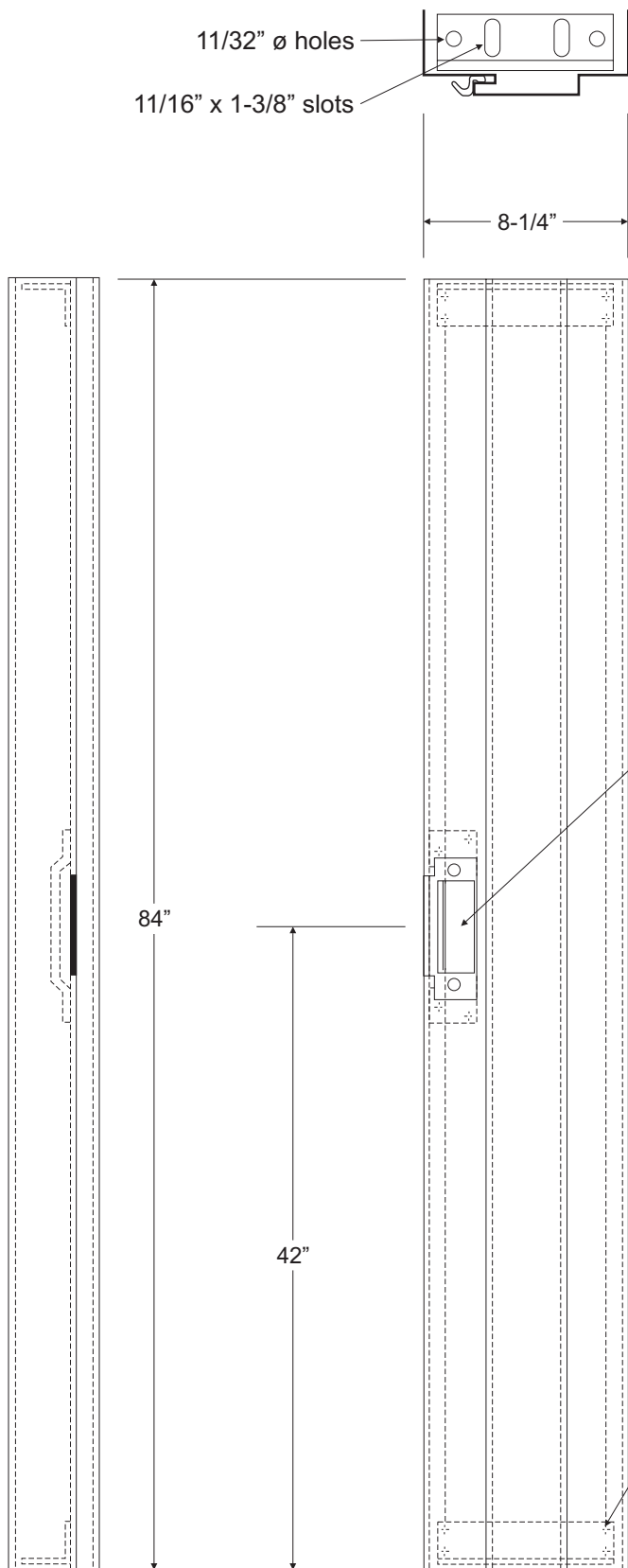
16 GAGE GALV. STEEL

FINISH: PC3 TRU WHITE OR PC4 BRONZE



8-1/4" Depth Kerfed

8-1-99



ANSI A115.1 & 2 (4-7/8") Universal Strike Preparation 12 Gage Steel Reinforcement Welded to Jamb.

FULLY REVERSIBLE -- Invert to change hand of jamb

16 GAGE GALV. STEEL

FINISH: PC3 TRU WHITE OR PC4 BRONZE



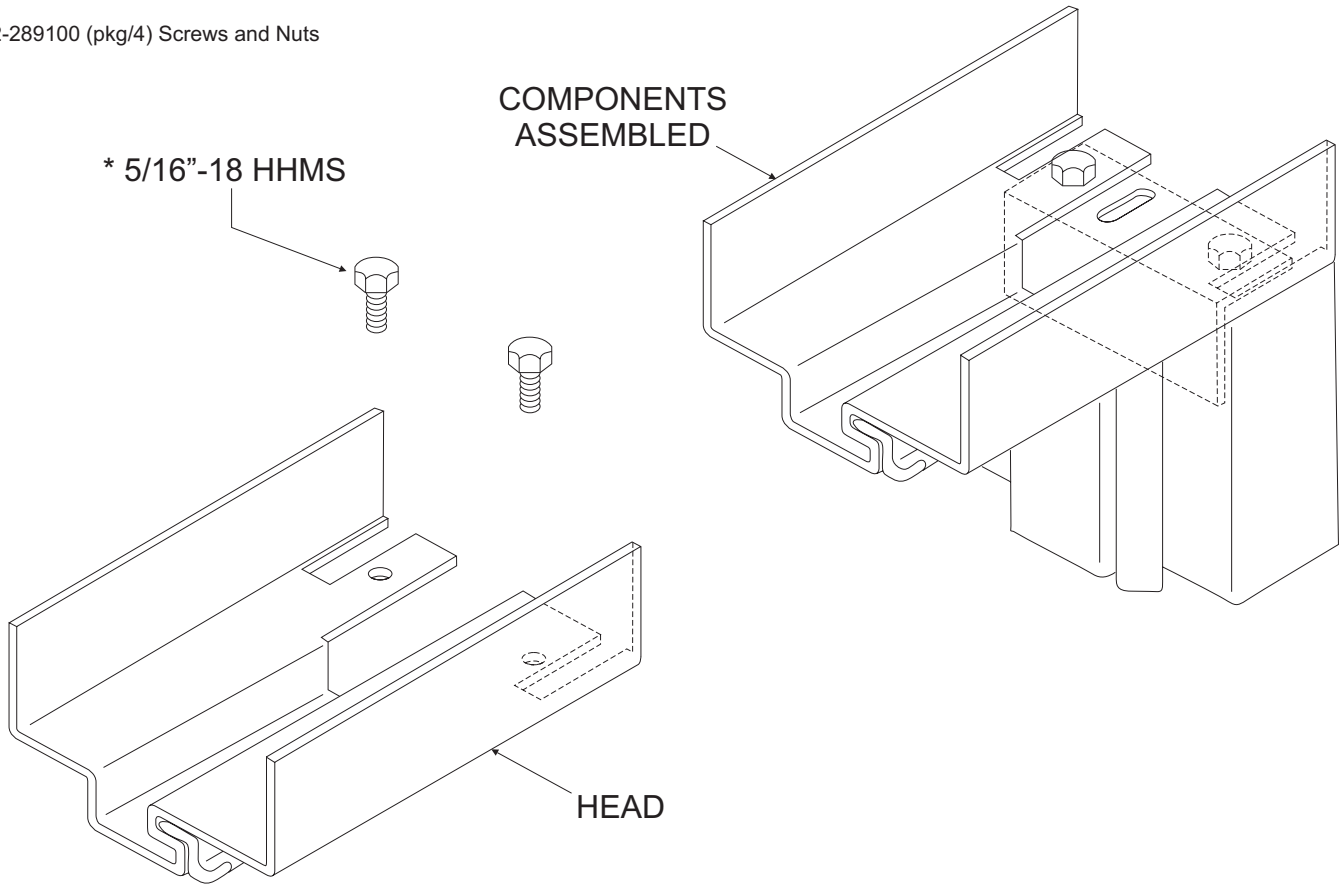
8-1/4" Depth Kerfed

8-1-99

\* 4-2-289100 (pkg/4) Screws and Nuts

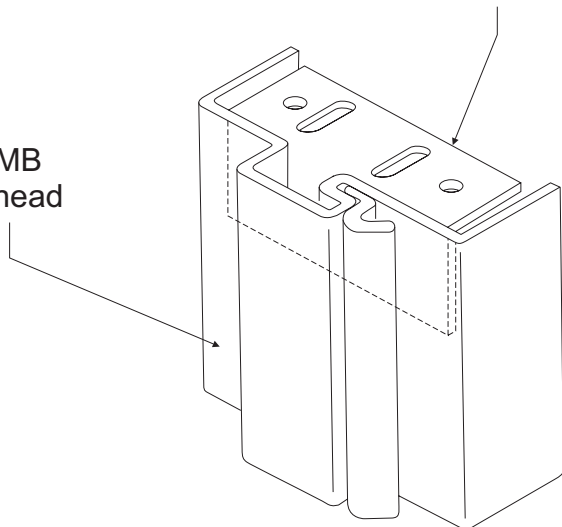
\* 5/16"-18 HHMS

COMPONENTS ASSEMBLED

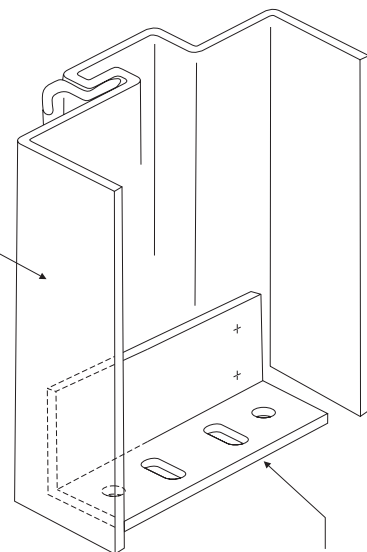


14 gage head anchor

JAMB at head

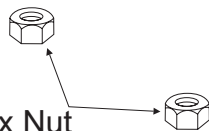


JAMB at sill



14 gage sill anchor

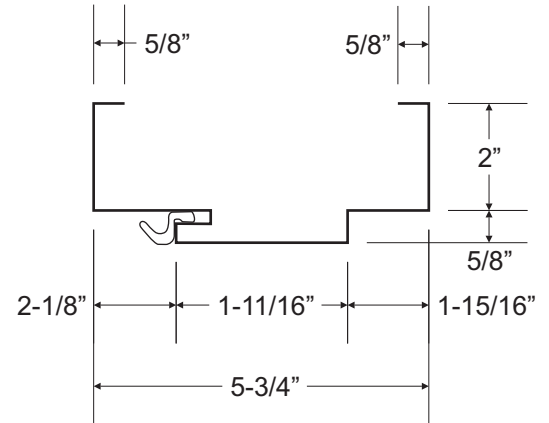
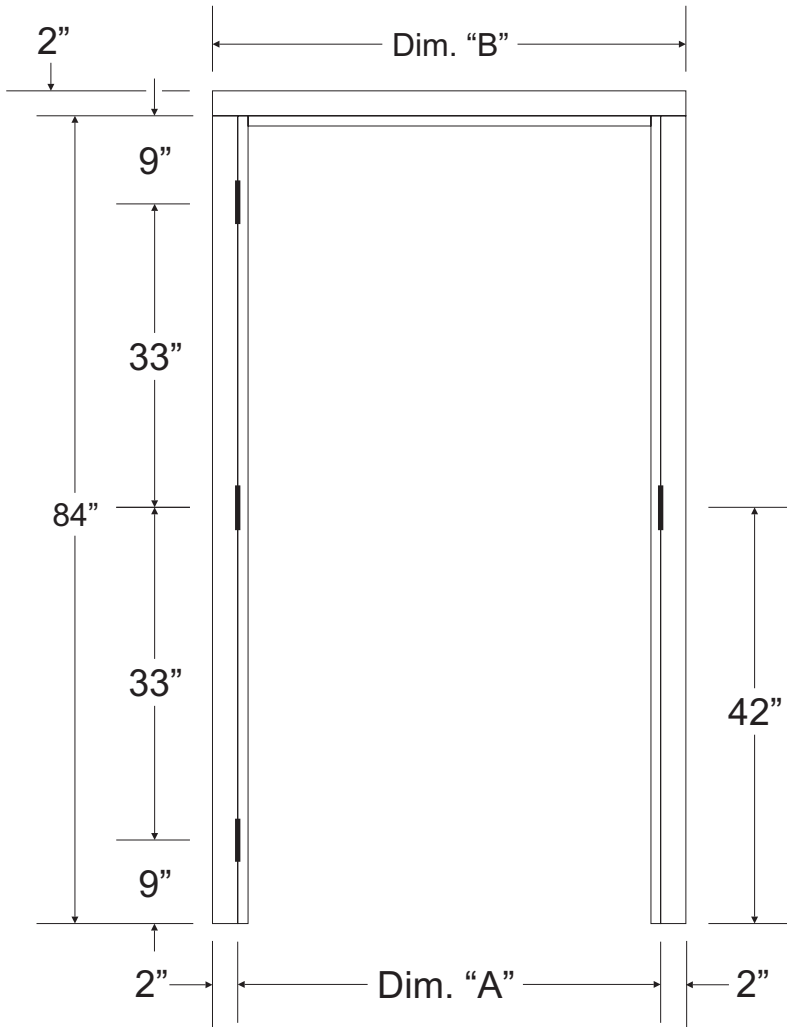
\* 5/16"-18 Hex Nut





5-3/4" Depth Kerfed

8-1-99



(1) These components and associated fasteners are finished painted PC3 TRU WHITE or PC4 BRONZE

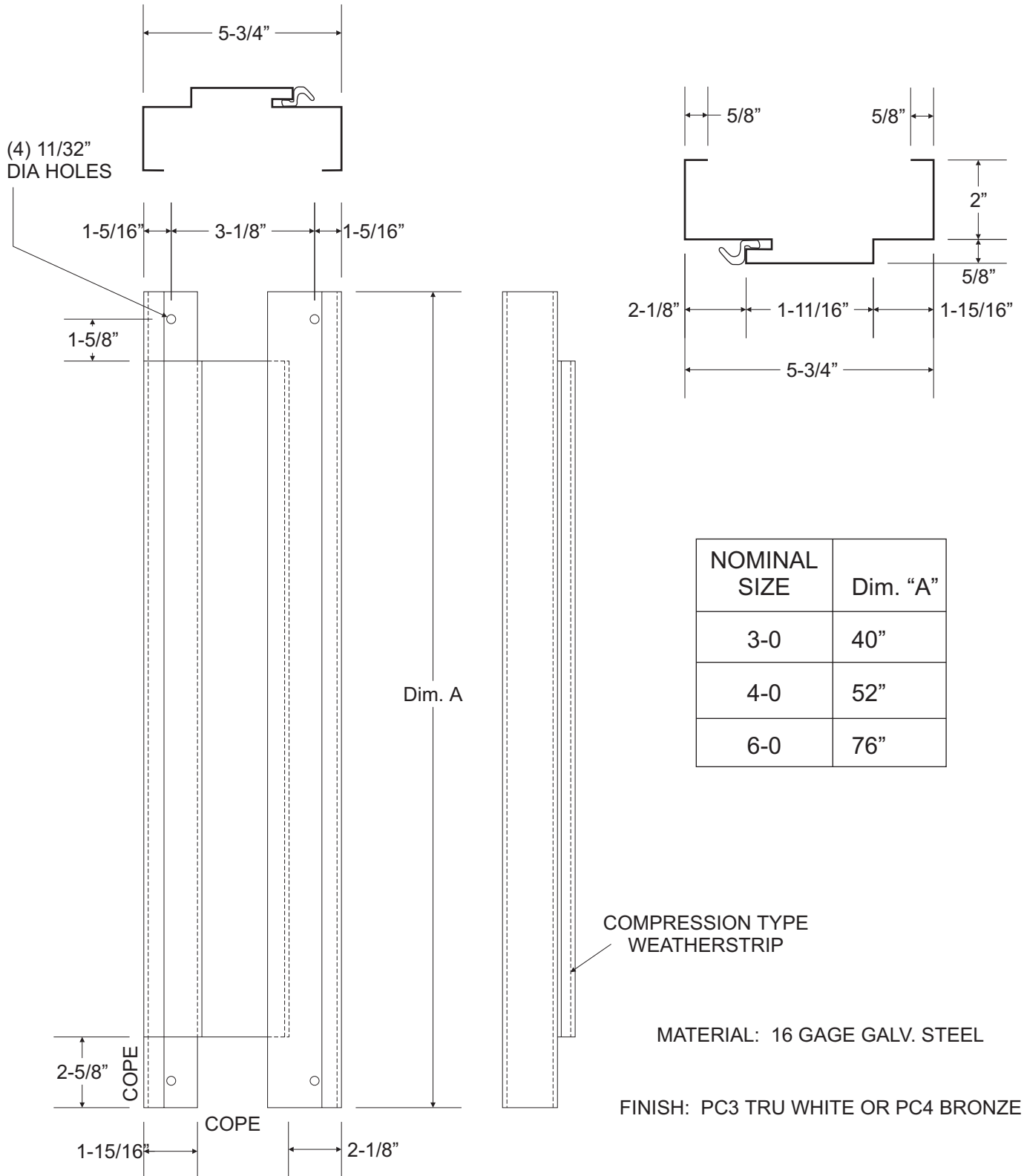
Each frame package is individually boxed in a corrugated carton.

DOOR FRAME PACKAGE	3070 door opg.	4070 door opg.	6070 door opg.
Dim. "A"	36"	48"	72"
Dim. "B"	40"	52"	76"



5-3/4" Depth Kerfed

8-1-99

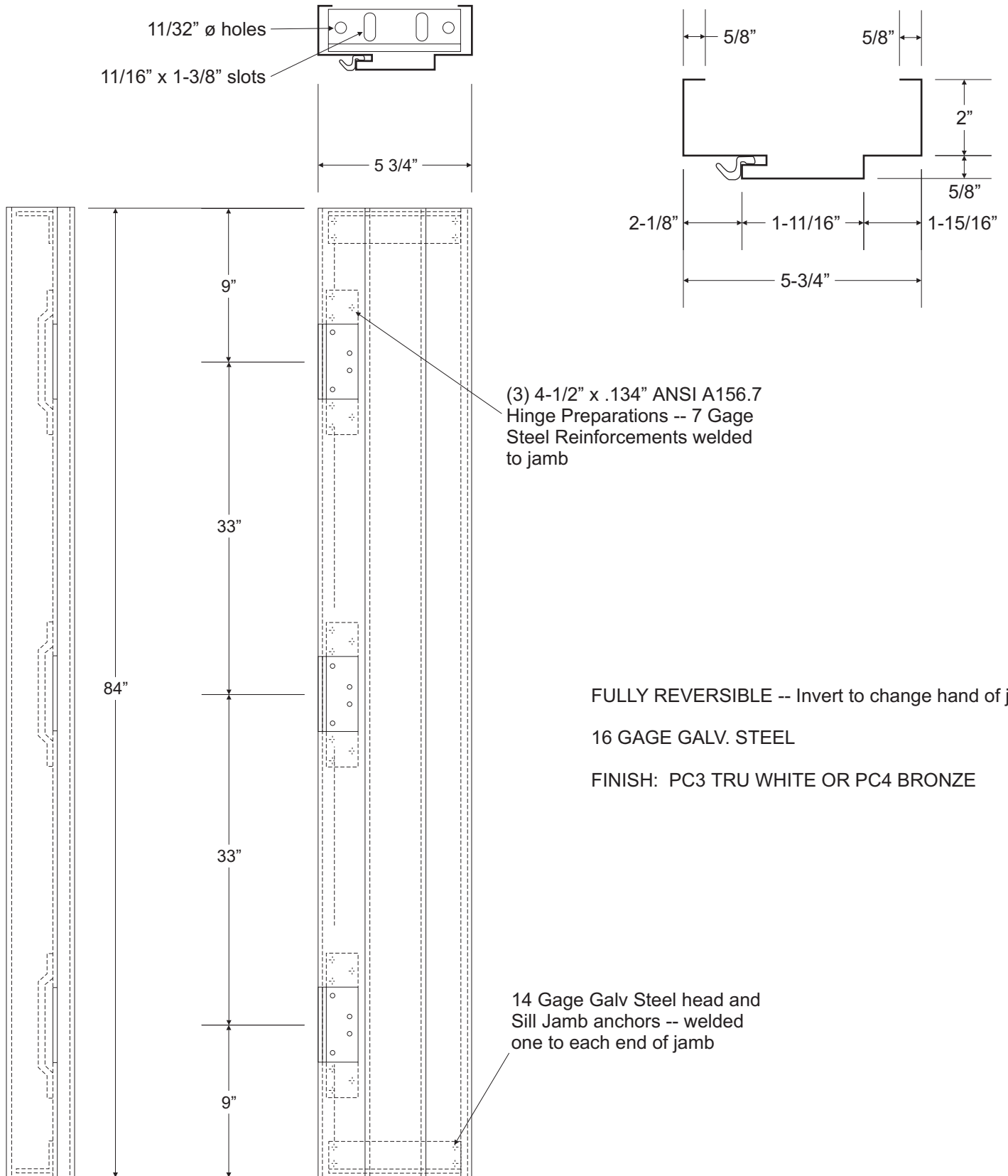


NOMINAL SIZE	Dim. "A"
3-0	40"
4-0	52"
6-0	76"



5-3/4" Depth Kerfed

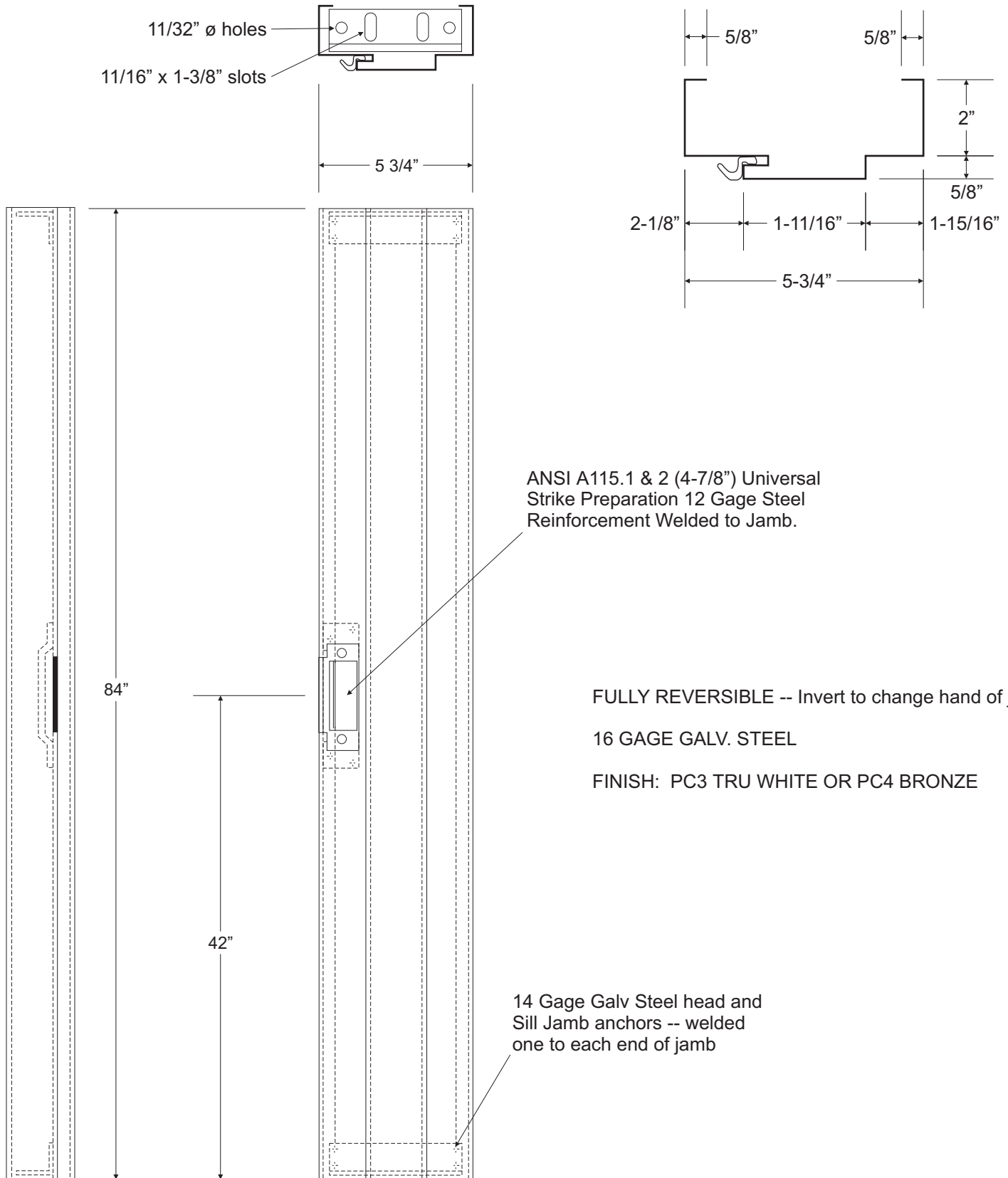
8-1-99





5-3/4" Depth Kerfed

8-1-99





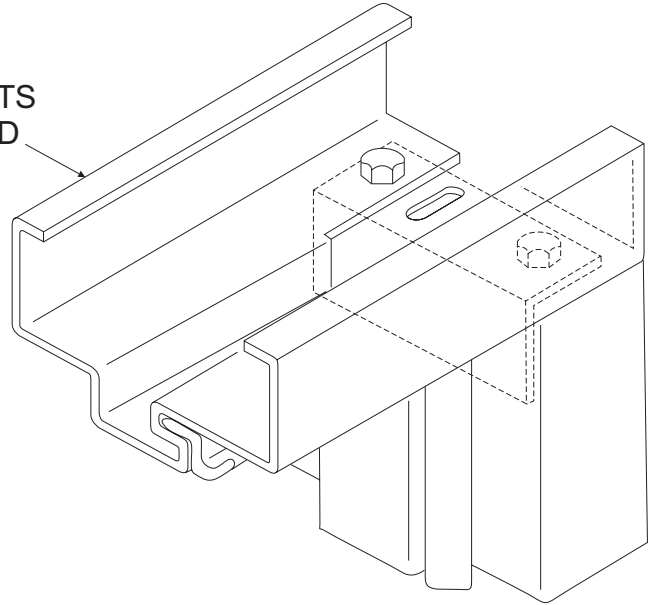
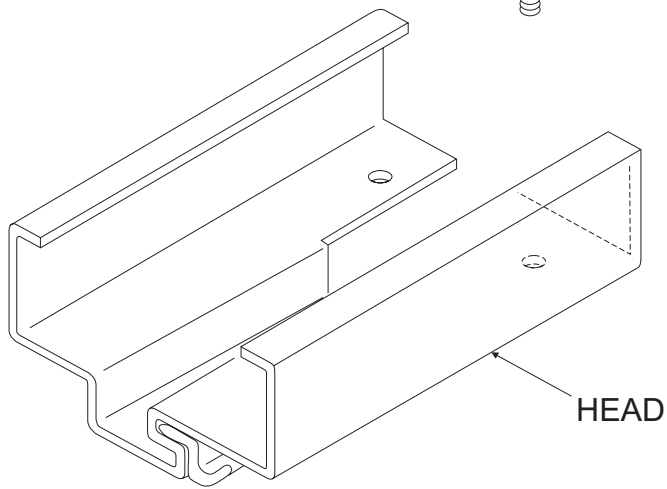
5-3/4" Depth Kerfed

8-1-99

\* 4-2-289100 (pkg/4) Screws and Nuts

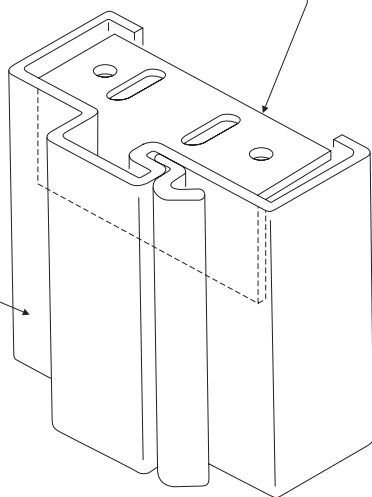
\* 5/16"-18 HHMS

COMPONENTS  
ASSEMBLED

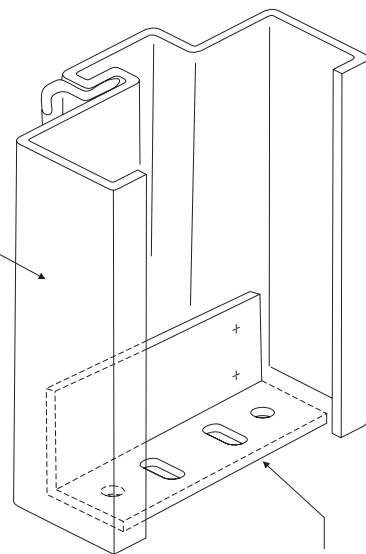


14 gage head anchor

JAMB  
at head

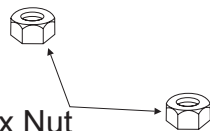


JAMB  
at sill



14 gage sill anchor

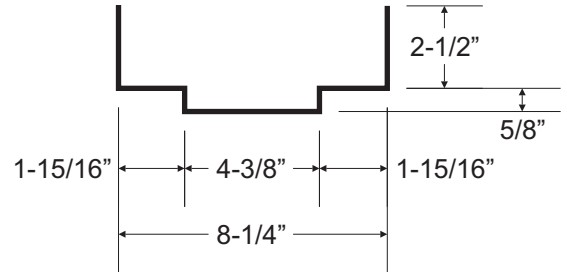
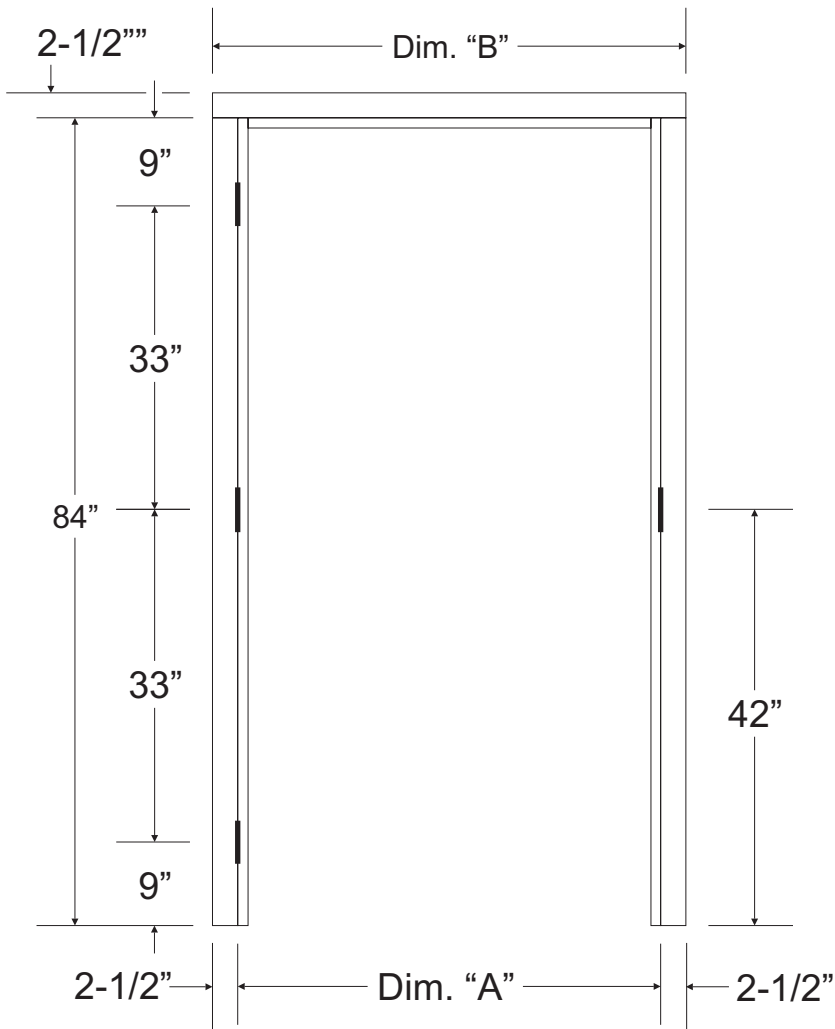
\* 5/16"-18 Hex Nut





8-1/4" Depth

8-1-99



(1) These components and associated fasteners are painted PC3 TRU WHITE or PC4 BRONZE

Mutes are factory installed.

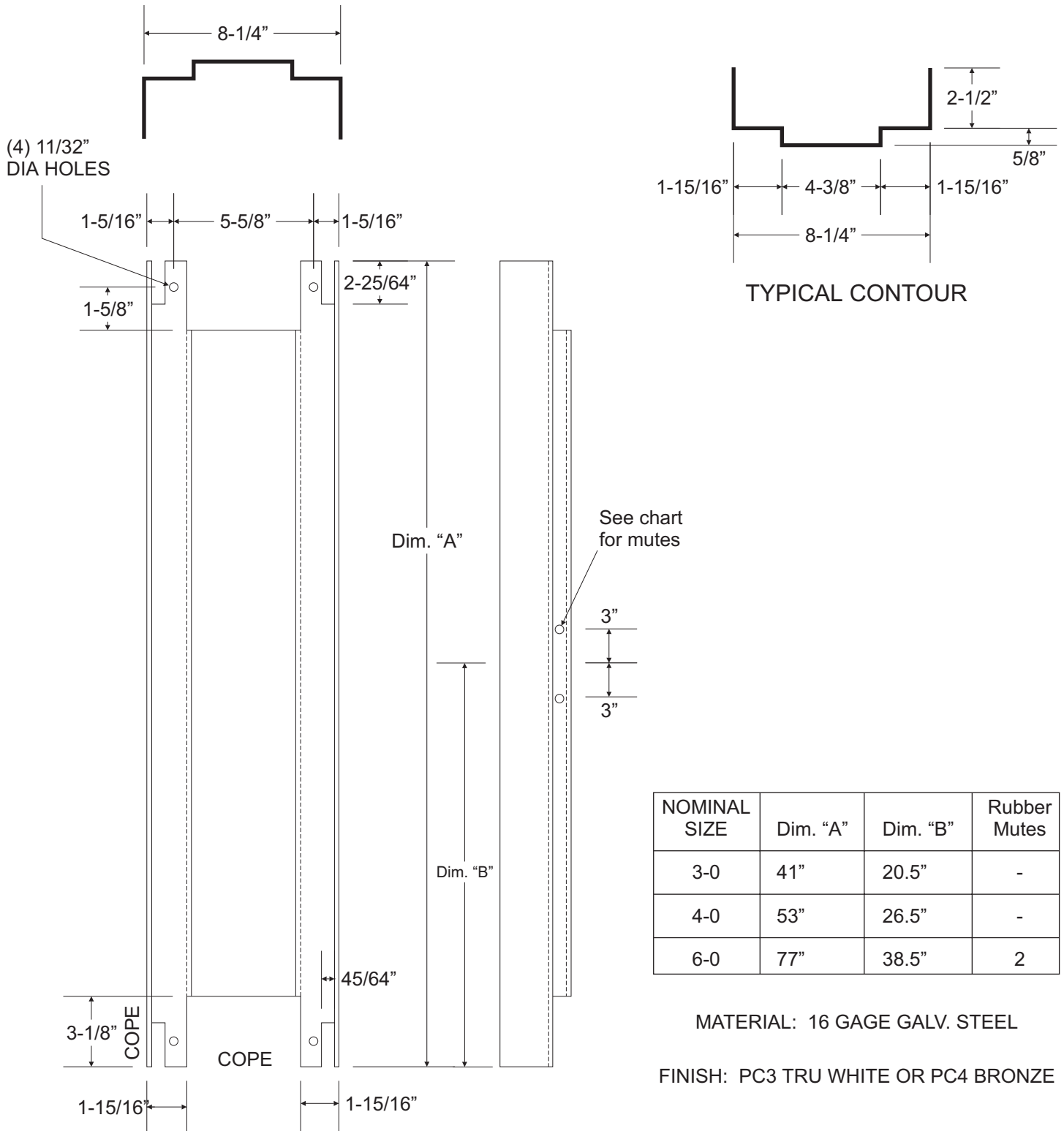
Each frame package is individually boxed in a corrugated carton.

DOOR FRAME PACKAGE	3070 door opg.	4070 door opg.	6070 door opg.
Dim. "A"	36"	48"	72"
Dim. "B"	41"	53"	77"



8-1/4" Depth

8-1-99



NOMINAL SIZE	Dim. "A"	Dim. "B"	Rubber Mutes
3-0	41"	20.5"	-
4-0	53"	26.5"	-
6-0	77"	38.5"	2

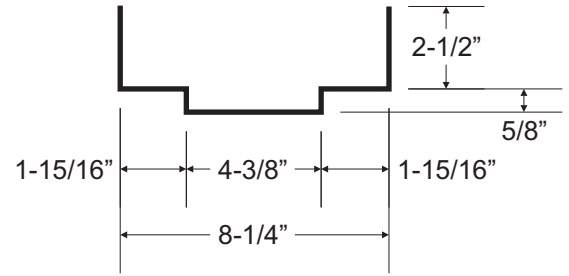
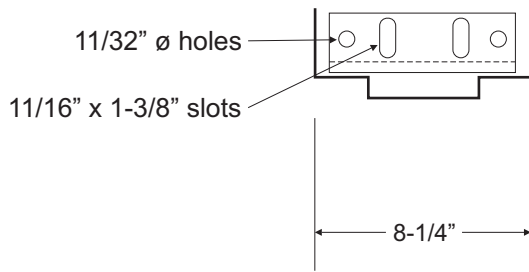
MATERIAL: 16 GAGE GALV. STEEL

FINISH: PC3 TRU WHITE OR PC4 BRONZE

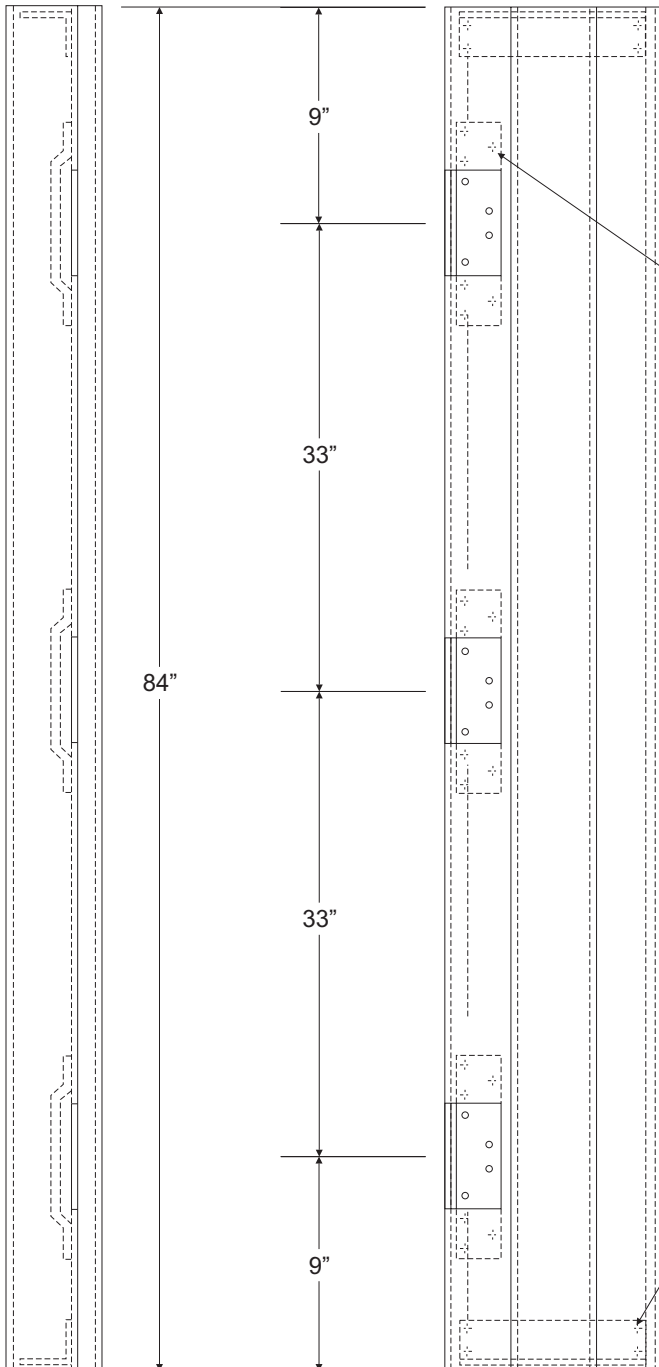


8-1/4" Depth

8-1-99



TYPICAL CONTOUR



(3) 4-1/2" x .134" ANSI A156.7  
Hinge Preparations -- 7 Gage  
Steel Reinforcements welded  
to jamb

FULLY REVERSIBLE -- Invert to change hand of jamb

16 GAGE GALV. STEEL

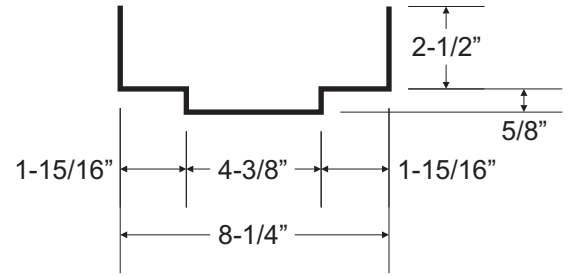
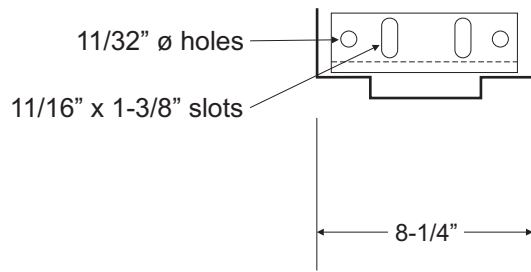
FINISH: PC3 TRU WHITE OR PC4 BRONZE

14 Gage Galv Steel head and  
Sill Jamb anchors -- welded  
one to each end of jamb

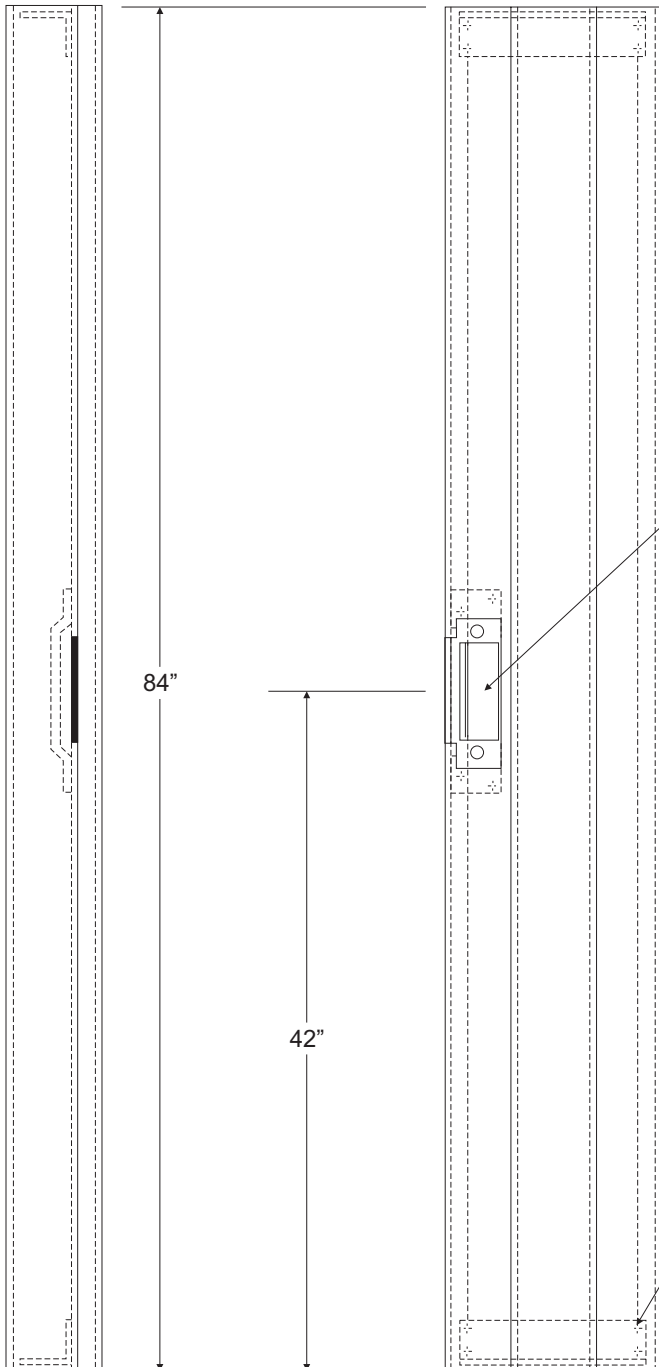


8-1/4" Depth

8-1-99



TYPICAL CONTOUR



ANSI A115.1 & 2 (4-7/8") Universal Strike Preparation 12 Gage Steel Reinforcement

FULLY REVERSIBLE -- Invert to change hand of jamb

16 GAGE GALV. STEEL

FINISH: PC3 TRU WHITE OR PC4 BRONZE

14 Gage Galv Steel head and Sill Jamb anchors -- welded one to each end of jamb



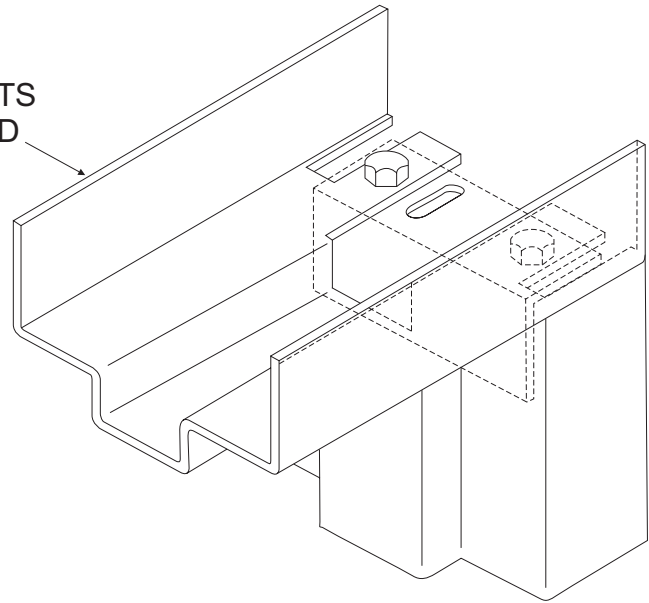
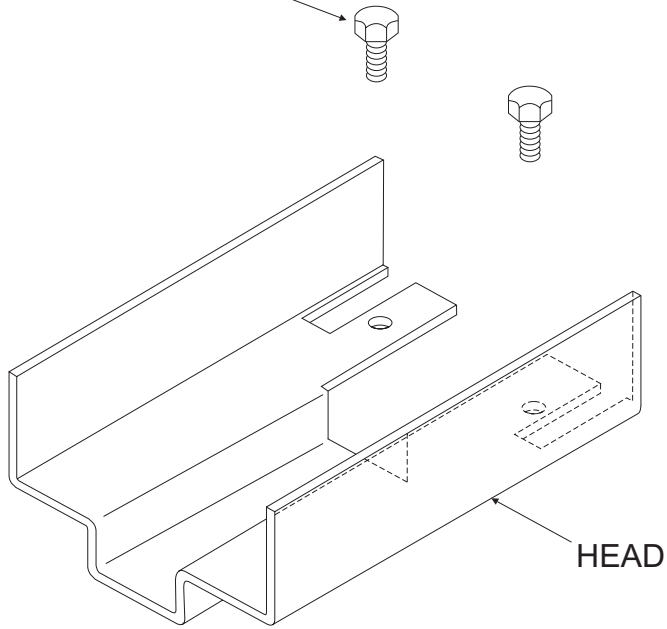
8-1/4" Depth

8-1-99

\* 4-2-289100 (pkg/4) Screws and Nuts

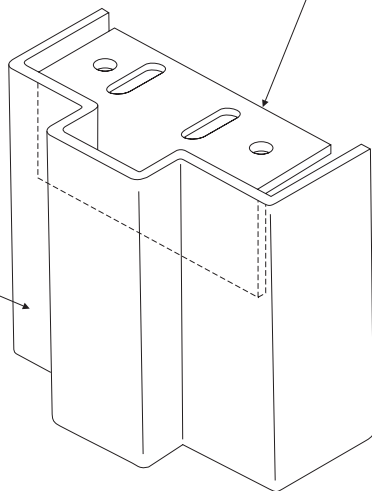
\* 5/16"-18 HHMS

COMPONENTS  
ASSEMBLED



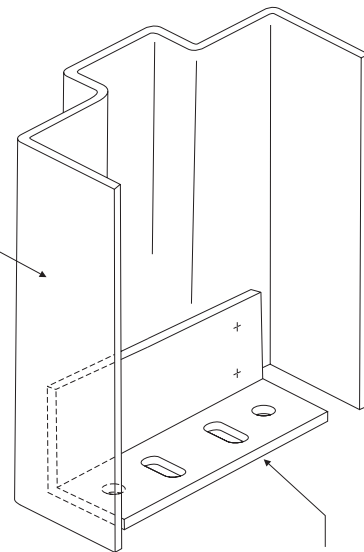
JAMB  
at head

14 gage head anchor

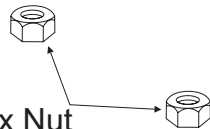


JAMB  
at sill

14 gage sill anchor



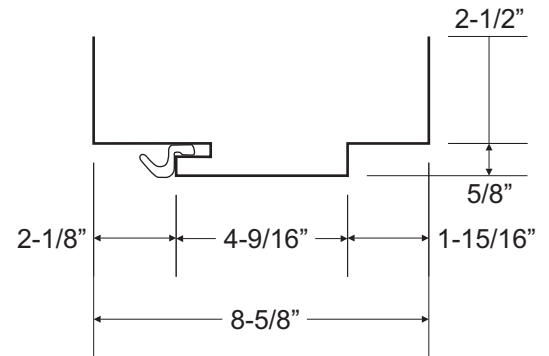
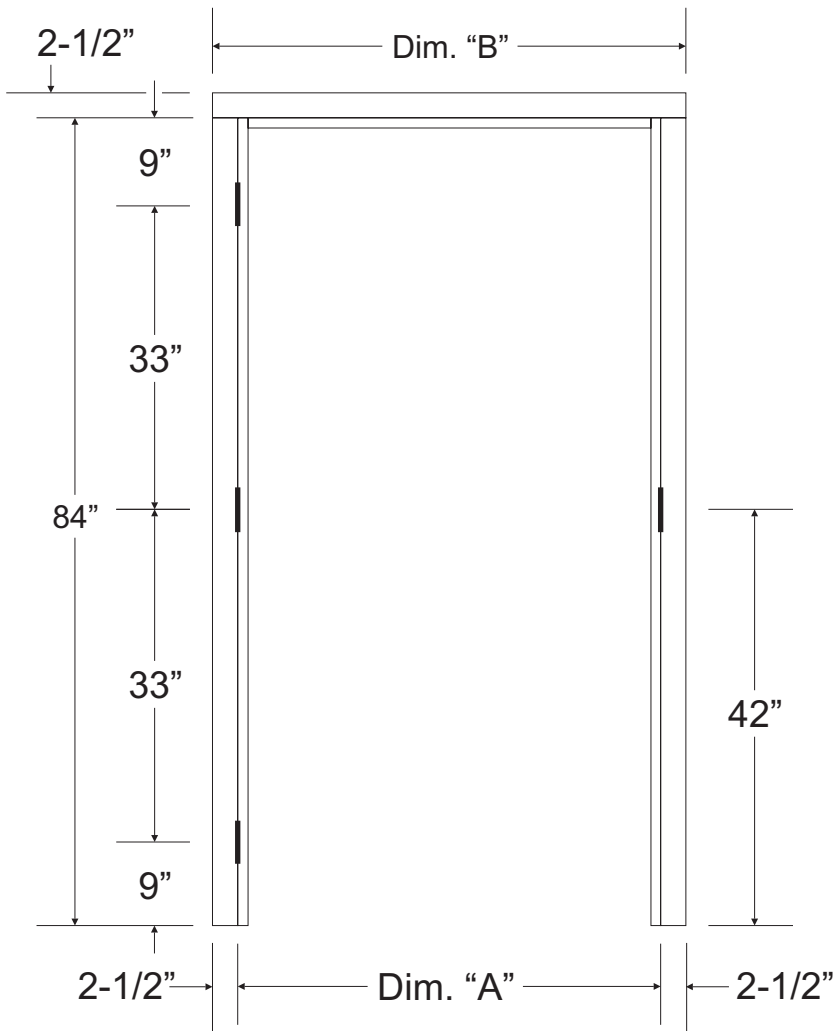
\* 5/16"-18 Hex Nut





8-5/8" Depth Kerfed

8-1-99



(1) These components and associated fasteners are finished painted PC3 TRU WHITE or PC4 BRONZE

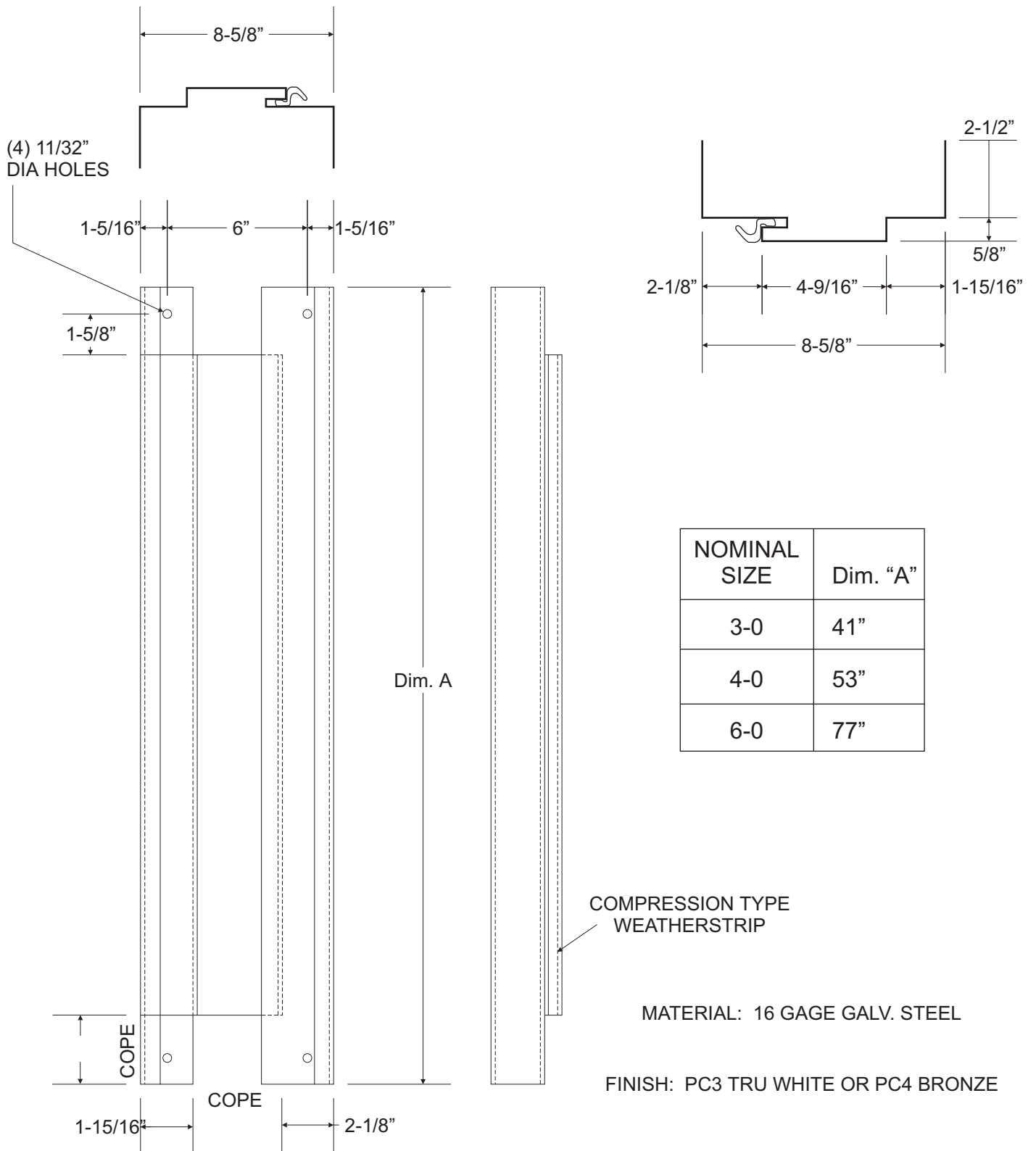
Each frame package is individually boxed in a corrugated carton.

DOOR FRAME PACKAGE	3070 door opg.	4070 door opg.	6070 door opg.
Dim. "A"	36"	48"	72"
Dim. "B"	41"	53"	77"



8-5/8" Depth Kerfed

8-1-99

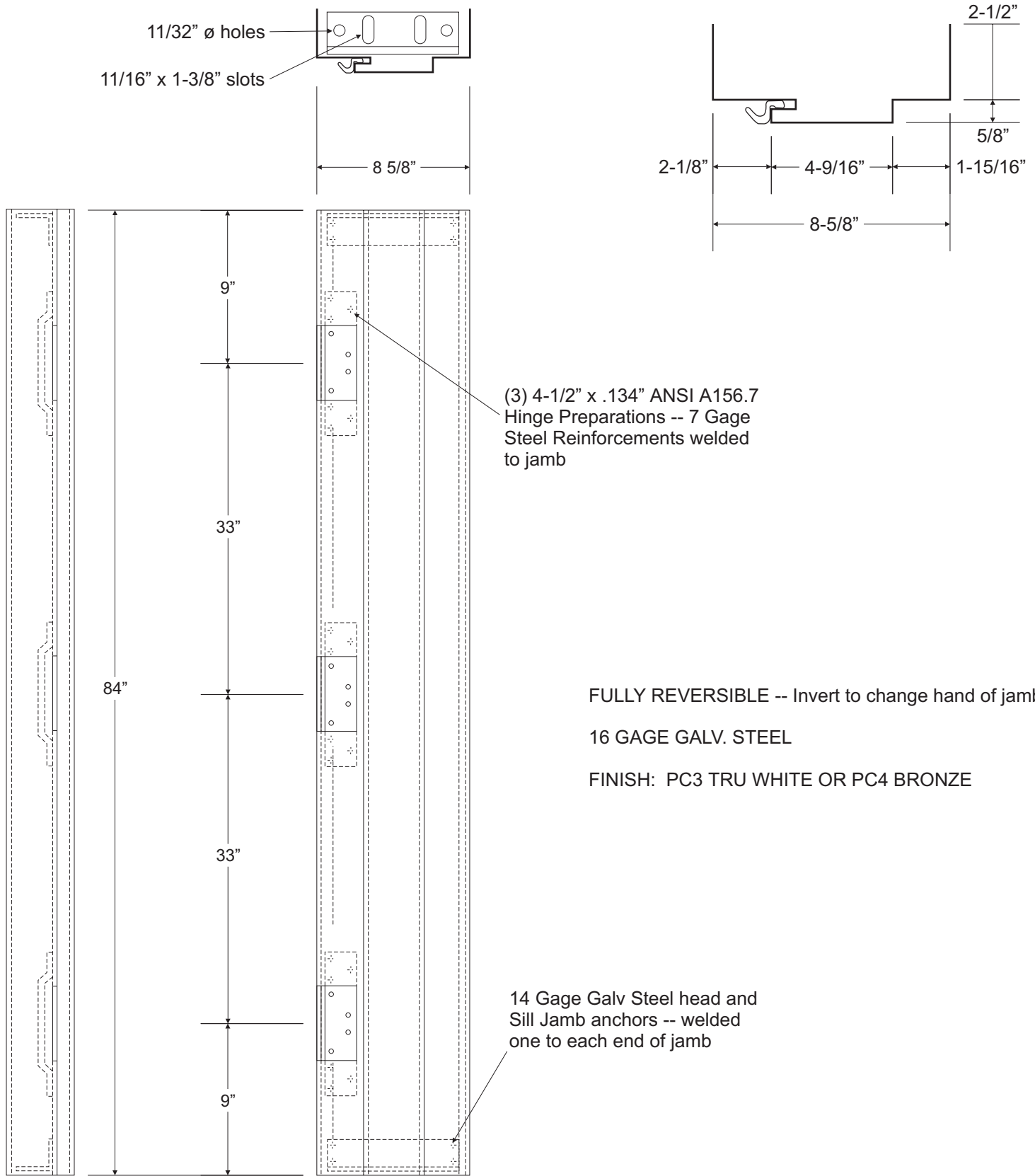


NOMINAL SIZE	Dim. "A"
3-0	41"
4-0	53"
6-0	77"



8-5/8" Depth Kerfed

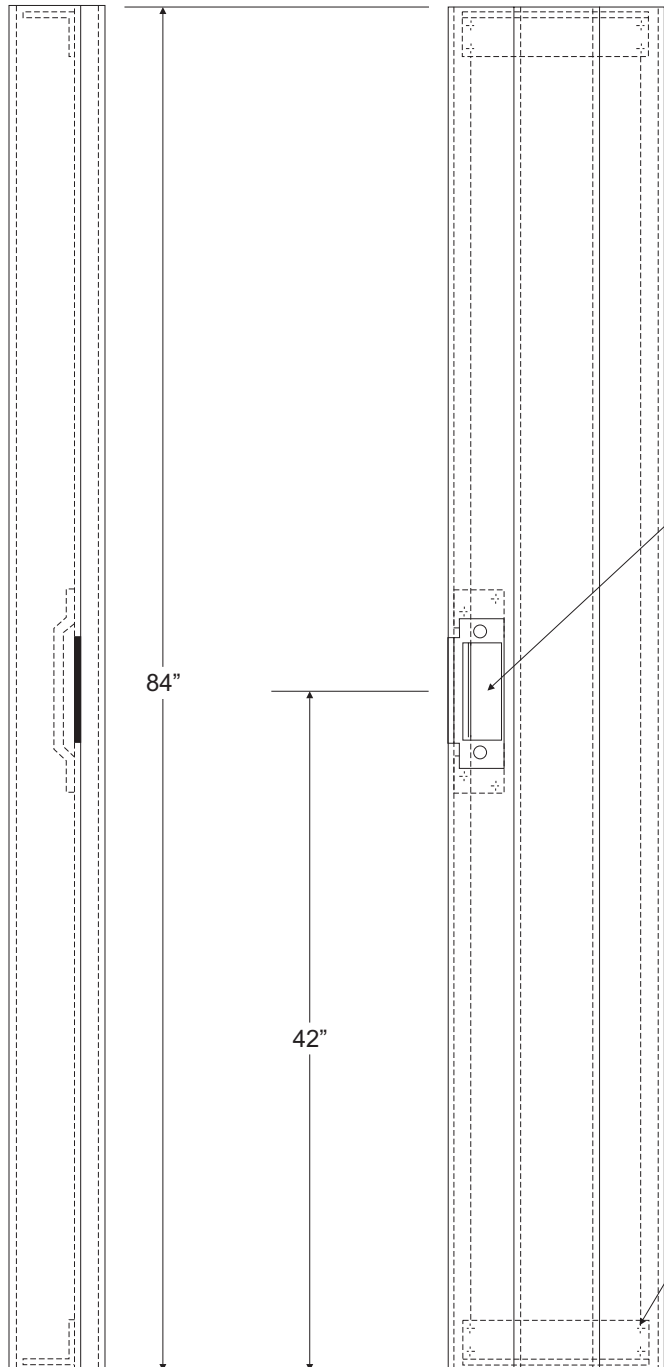
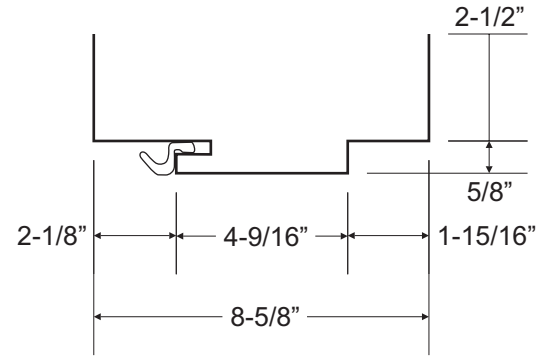
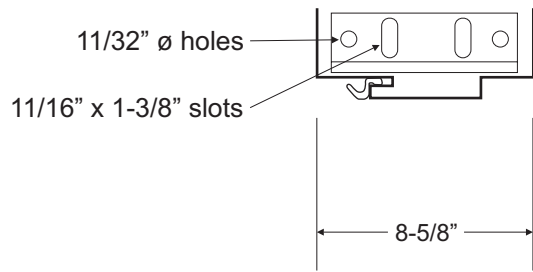
8-1-99





8-5/8" Depth Kerfed

8-1-99



FULLY REVERSIBLE -- Invert to change hand of jamb

16 GAGE GALV. STEEL

FINISH: PC3 TRU WHITE OR PC4 BRONZE



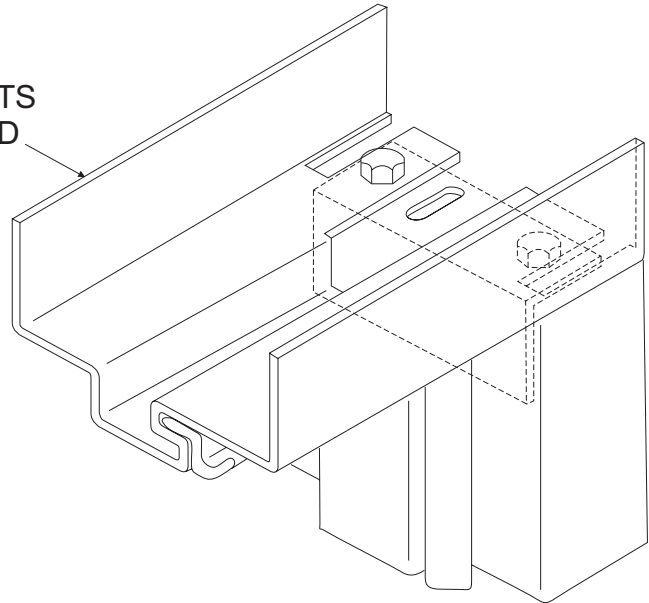
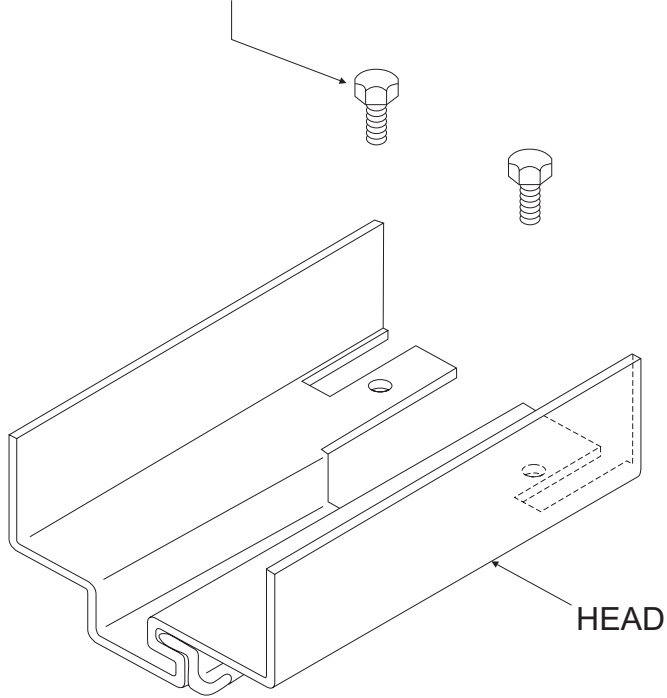
8-5/8" Depth Kerfed

8-1-99

\* 4-2-289100 (pkg/4) Screws and Nuts

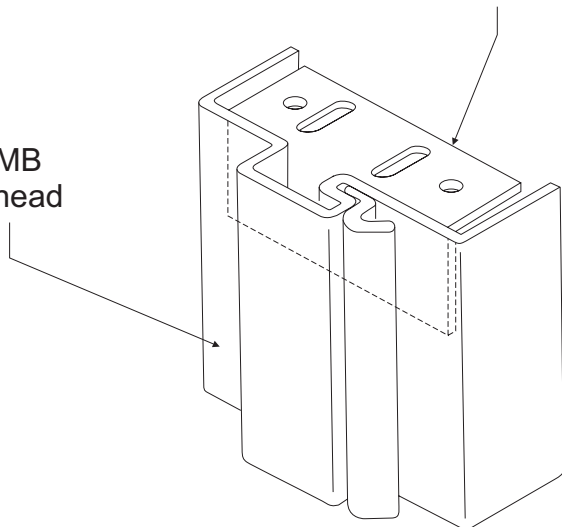
\* 5/16"-18 HHMS

COMPONENTS  
ASSEMBLED

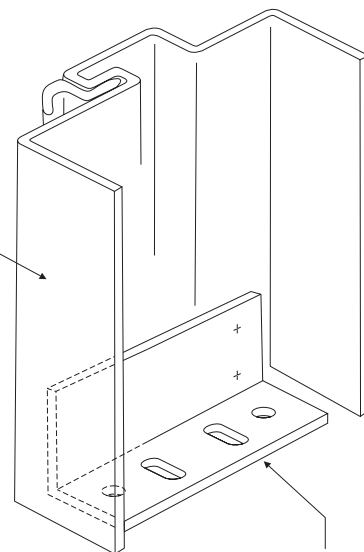


14 gage head anchor

JAMB  
at head

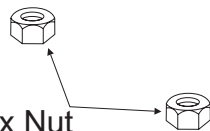


JAMB  
at sill



14 gage sill anchor

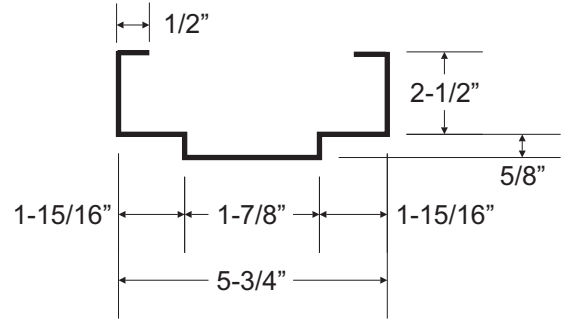
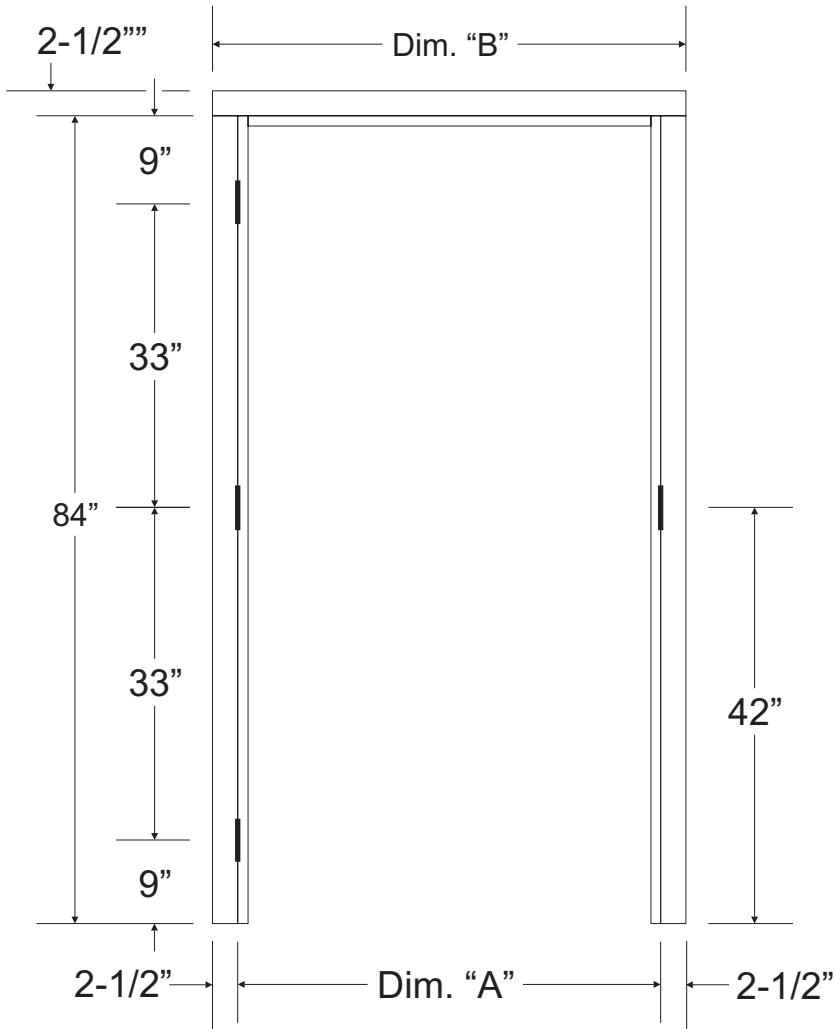
\* 5/16"-18 Hex Nut





5-3/4" Depth

8-1-99



(1) These components and associated fasteners are painted PC3 TRU WHITE or PC4 BRONZE

Mutes are factory installed.

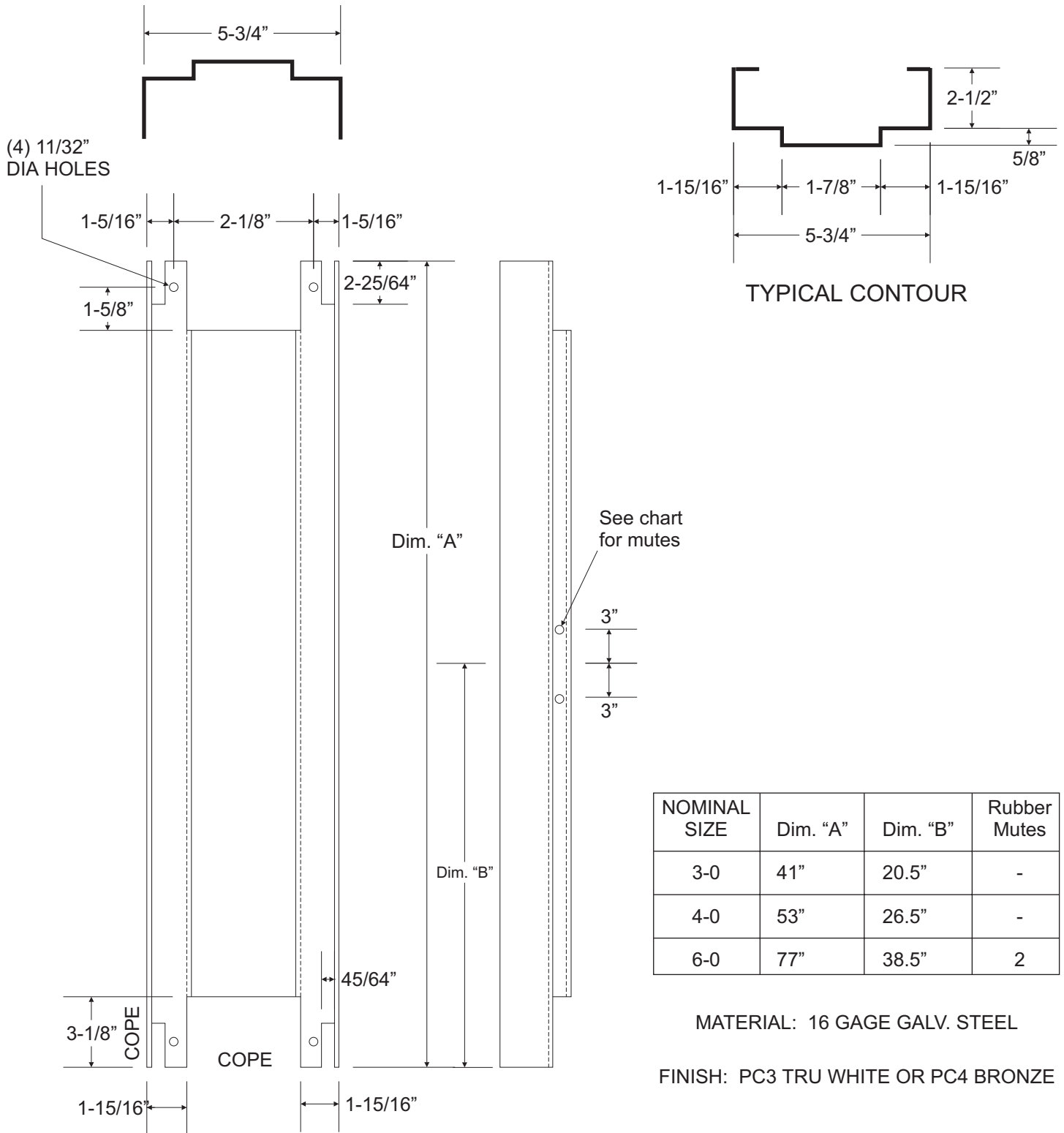
Each frame package is individually boxed in a corrugated carton.

DOOR FRAME PACKAGE	3070 door opg.	4070 door opg.	6070 door opg.
Dim. "A"	36"	48"	72"
Dim. "B"	41"	53"	77"



5-3/4" Depth

8-1-99



NOMINAL SIZE	Dim. "A"	Dim. "B"	Rubber Mutes
3-0	41"	20.5"	-
4-0	53"	26.5"	-
6-0	77"	38.5"	2

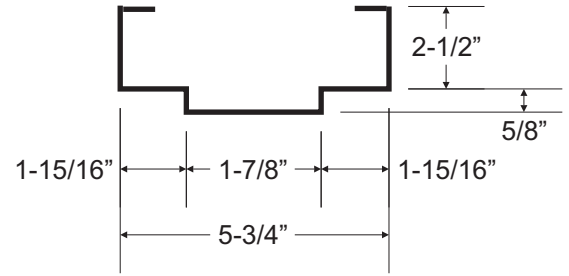
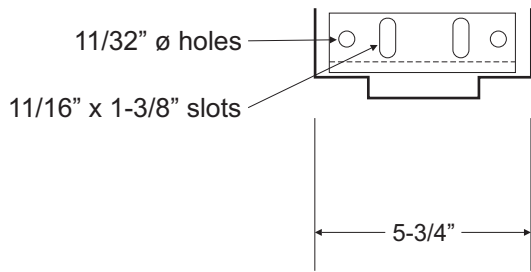
MATERIAL: 16 GAGE GALV. STEEL

FINISH: PC3 TRU WHITE OR PC4 BRONZE

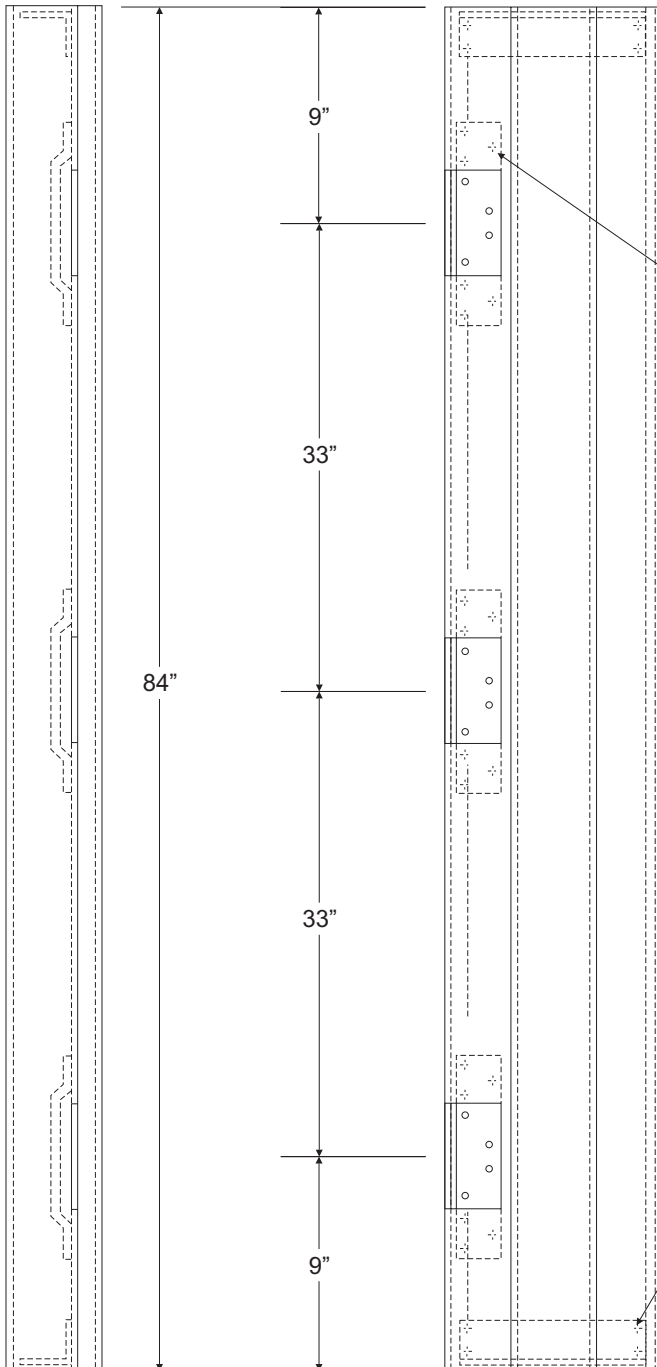


5-3/4" Depth

8-1-99



TYPICAL CONTOUR



(3) 4-1/2" x .134" ANSI A156.7  
Hinge Preparations -- 7 Gage  
Steel Reinforcements welded  
to jamb

FULLY REVERSIBLE -- Invert to change hand of jamb

16 GAGE GALV. STEEL

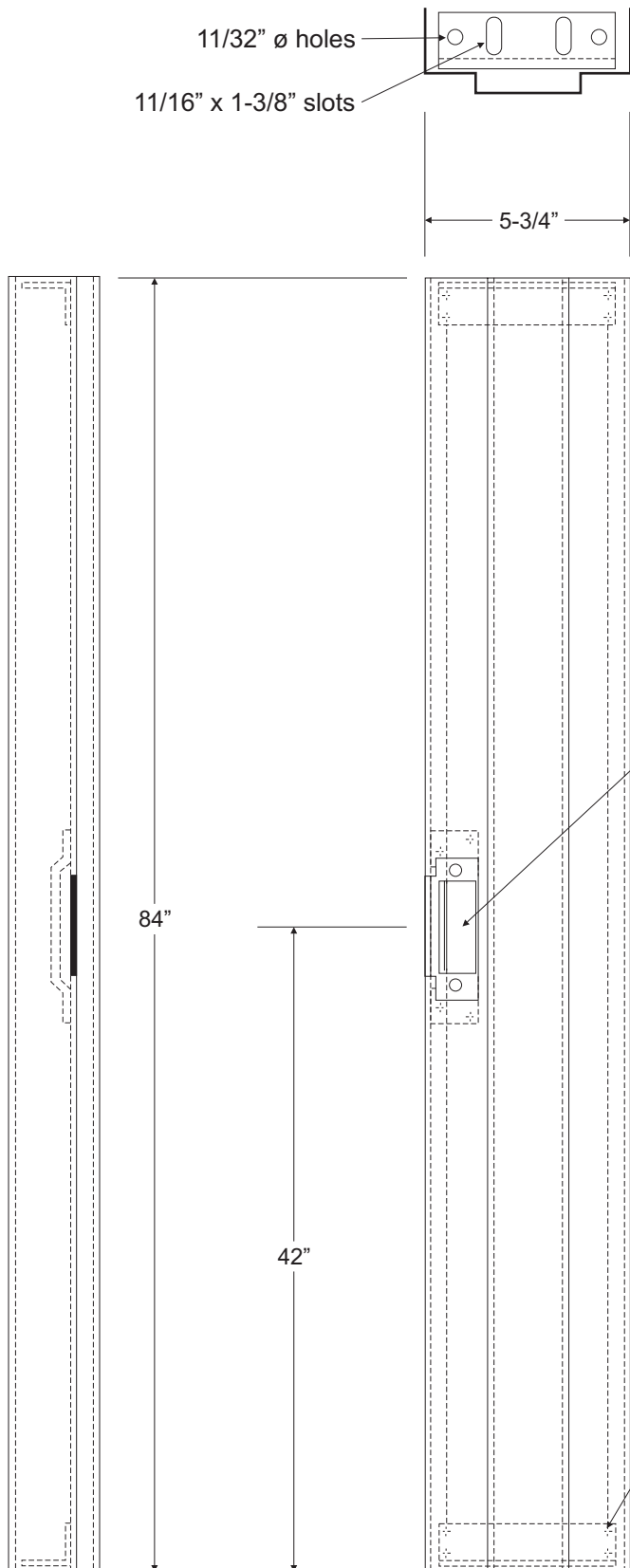
FINISH: PC3 TRU WHITE OR PC4 BRONZE

14 Gage Galv Steel head and  
Sill Jamb anchors -- welded  
one to each end of jamb



5-3/4" Depth

8-1-99



ANSI A115.1 & 2 (4-7/8") Universal Strike Preparation 12 Gage Steel Reinforcement

FULLY REVERSIBLE -- Invert to change hand of jamb

16 GAGE GALV. STEEL

FINISH: PC3 TRU WHITE OR PC4 BRONZE

14 Gage Galv Steel head and Sill Jamb anchors -- welded one to each end of jamb



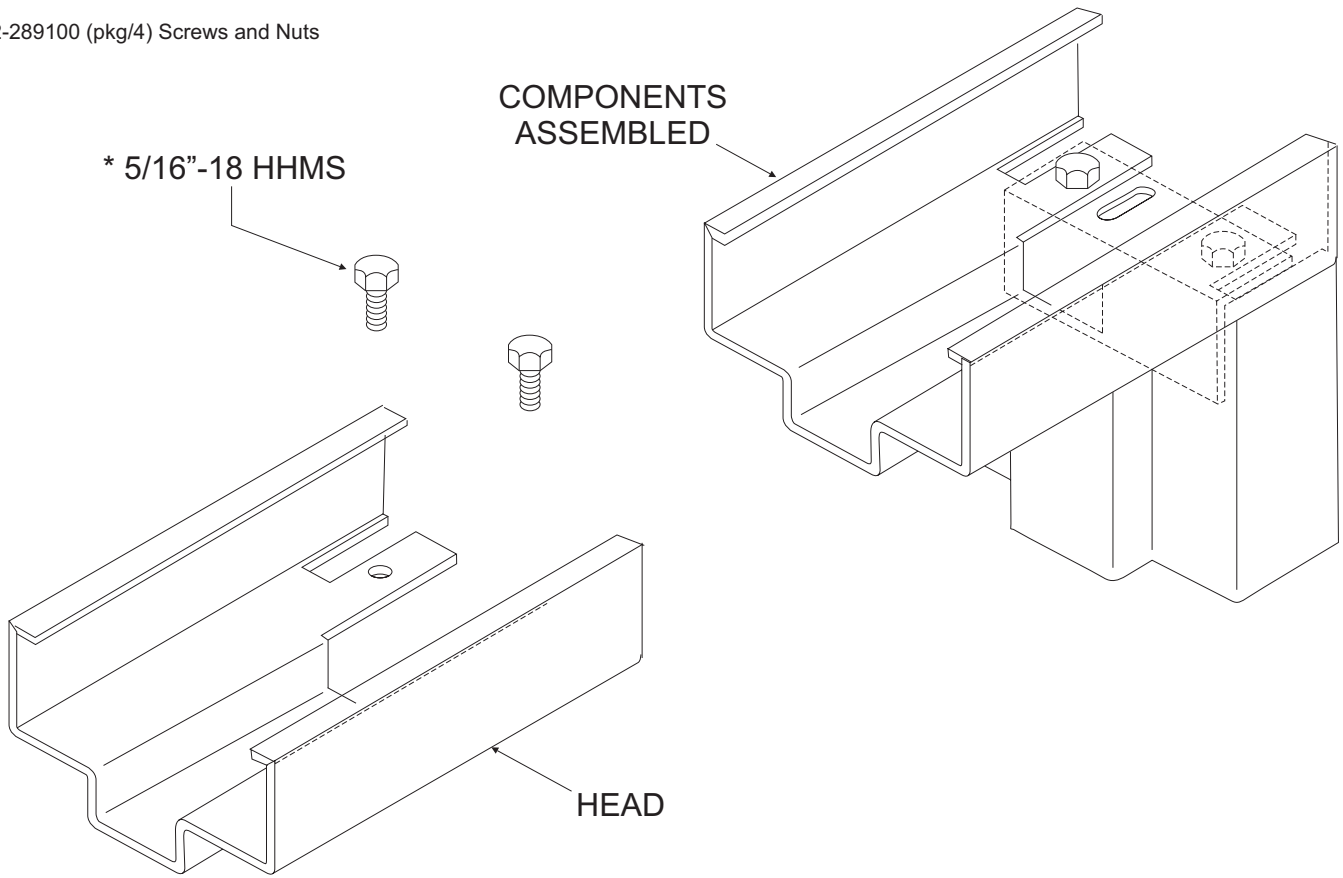
5-3/4" Depth

8-1-99

\* 4-2-289100 (pkg/4) Screws and Nuts

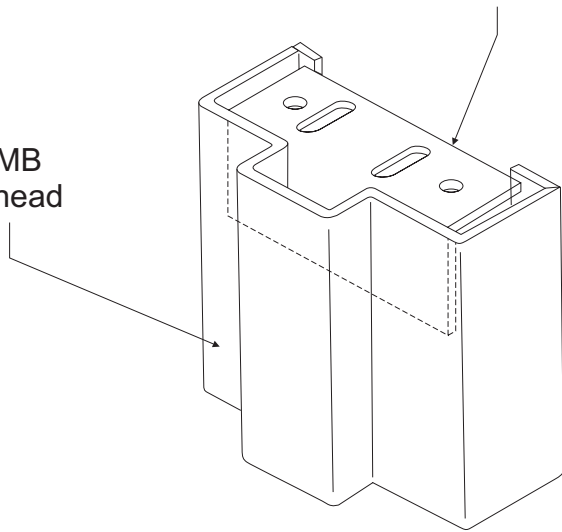
\* 5/16"-18 HHMS

COMPONENTS  
ASSEMBLED

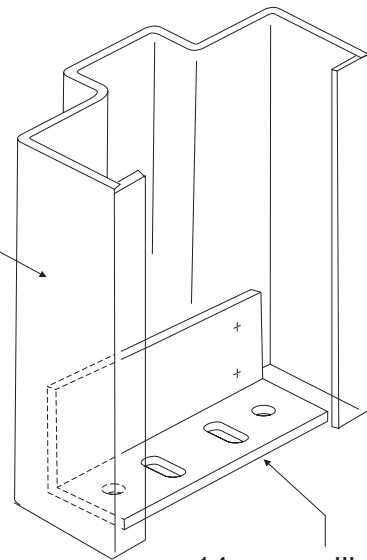


14 gage head anchor

JAMB  
at head



JAMB  
at sill



\* 5/16"-18 Hex Nut

