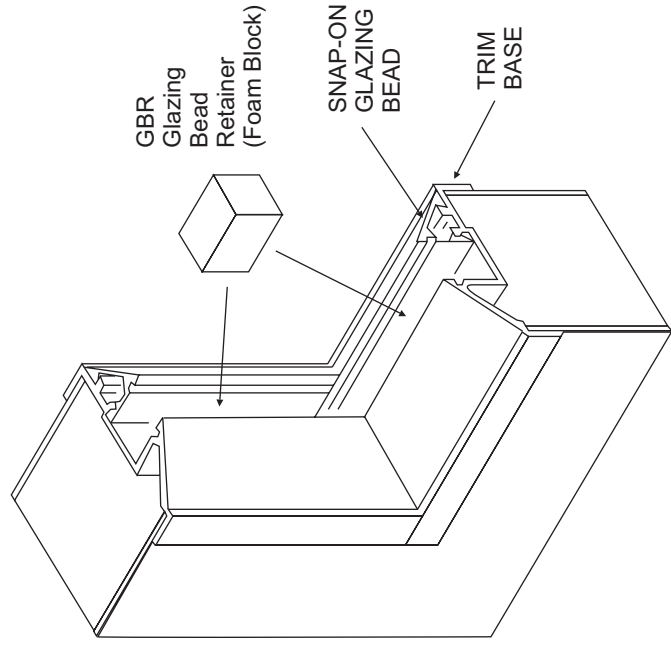
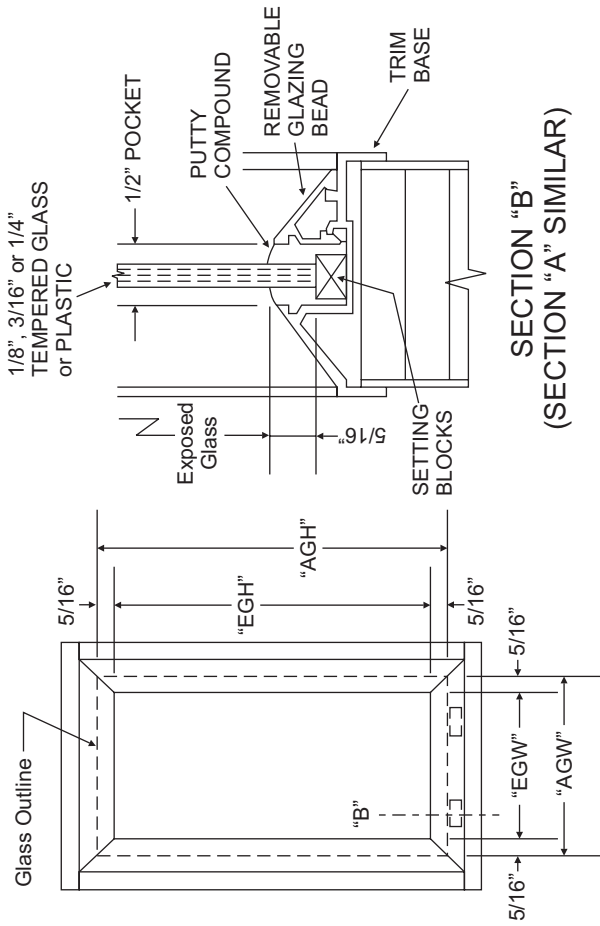


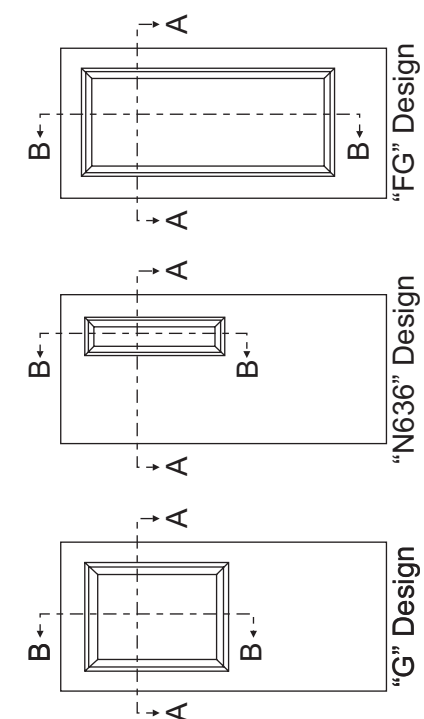


Wet Glazing System Field Glazing Guidelines

8-1-99



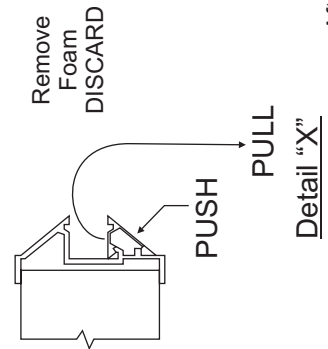
SECTION THROUGH GLASS TRIM
 After removal for glazing, GBR may be discarded. However, some glazers find it convenient to fashion glass blocking and glazing wedges from GBR material.



WET GLAZING SEQUENCE

1. Work from side of door where removable glazing beads are located.
2. Remove and discard foam blocks from trim pocket.
3. Snap-off (see detail "X") and separate beads from trim base: vertical, mitered beads first, then horizontal square ended beads.
4. Position setting blocks at quarter points in the trim pocket at the sill (see vert. Sect. "B").
5. Apply a bead of 1/4" thick glazing compound (DAP 33 or equal) to pocket wall of base at four sides.
6. Position glass against applied compound. Center glass within aluminum frame. Press glass against putty.
7. Snap-on glazing beads. Reverse operation of step 3: apply horizontal beads first, then vertical beads.
8. Pack glazing compound in the space (about 1/8") between glass and beads of four sides. Use putty knife.
9. Clean up excess of compound on both faces of vision lite.

GLAZING BEAD REMOVAL



LEGEND
 EGW = Exposed Glass Within
 EGH = Exposed Glass Height
 AGW = Actual Glass Width
 AGH = Actual Glass Height

RECOMMENDED GLASS SIZE
 EGW + 5/8" x EGH + 5/8"
 (Width x Height)

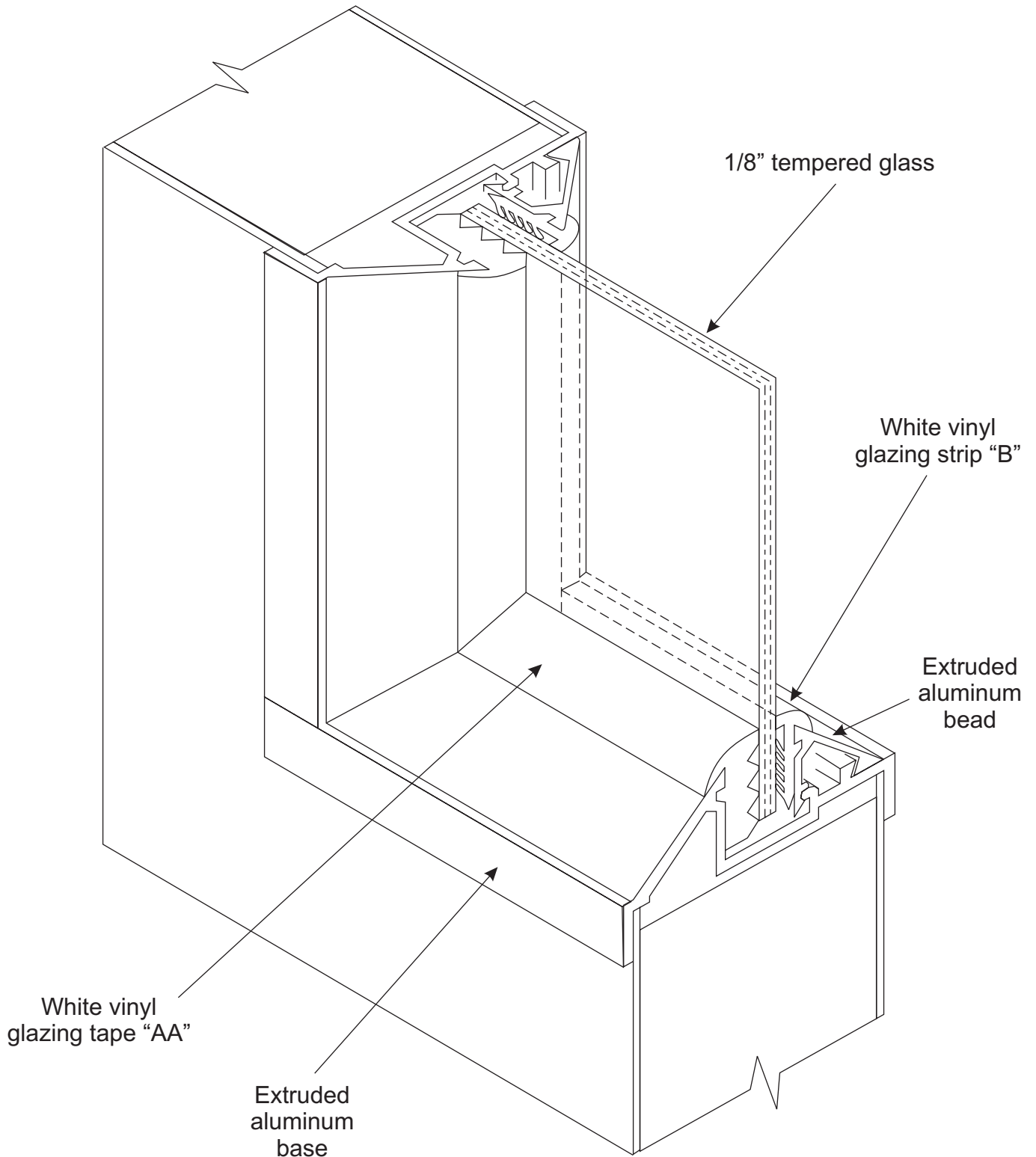
Glass and Glazing are not provided by Ceco or Star.



Dry Glazing System 1/8" Tempered Glass

8-1-99

Aluminum glass trim kit is painted to match door.



6" x 36" size NARROW LITE design doors are furnished FACTORY GLAZED.