

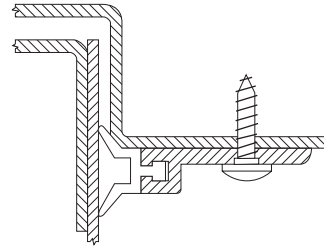


AMSCO Aluminum Threshold and Weatherstrip 13.1  
Heavy Duty 8" Slide Bolt Installation Instructions 13.2  
Door Closer Heavy Duty Type 13.3  
Fire Exit Device Non-Handed by Key in Knob Outside 13.4  
Gov. Series 86-4 Mortise Lockset 13.5  
Standard Duty Cylindrical Lockset 13.6  
Full Mortise Hinge 4 1/2" x 4 1/2" (.134) Gauge 13.7  
Door Glazing Instruction 13.8  
Glazed Doors Glass Sizes 13.9  
Door Glazing Instructions 13.10

Hardware from this section may not be compatible with other product lines by Dominion Building Products. Please check with your rep.



194-A WEATHERSTRIP

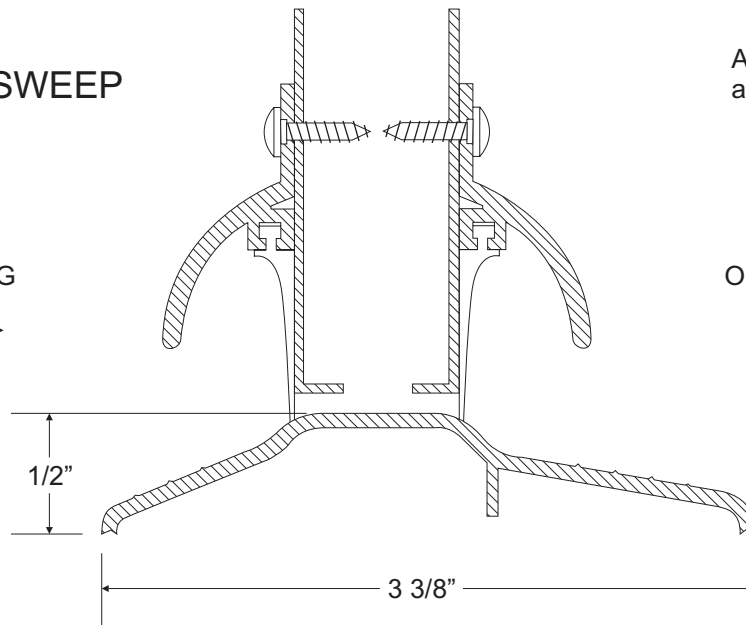


ALUMINUM  
and VINYL

154-AV ACTS AS AN EFFECTIVE RAINDRIP AND DOOR BOTTOM SEAL.

154-AV DOOR SWEEP

USE  
INSWING



ALUMINUM  
and VINYL

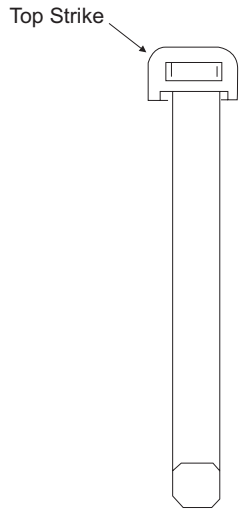
USE  
OUTSWING



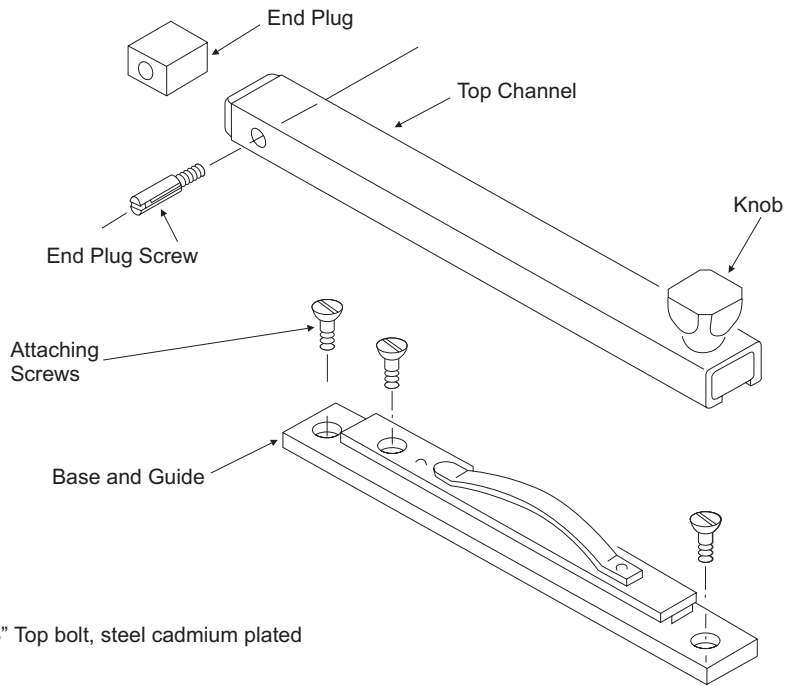
37A THRESHOLD  
ALUMINUM



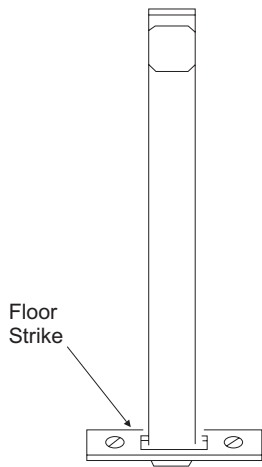
Heavy Duty 8" Slide Bolt Installation Instructions 2-11-00



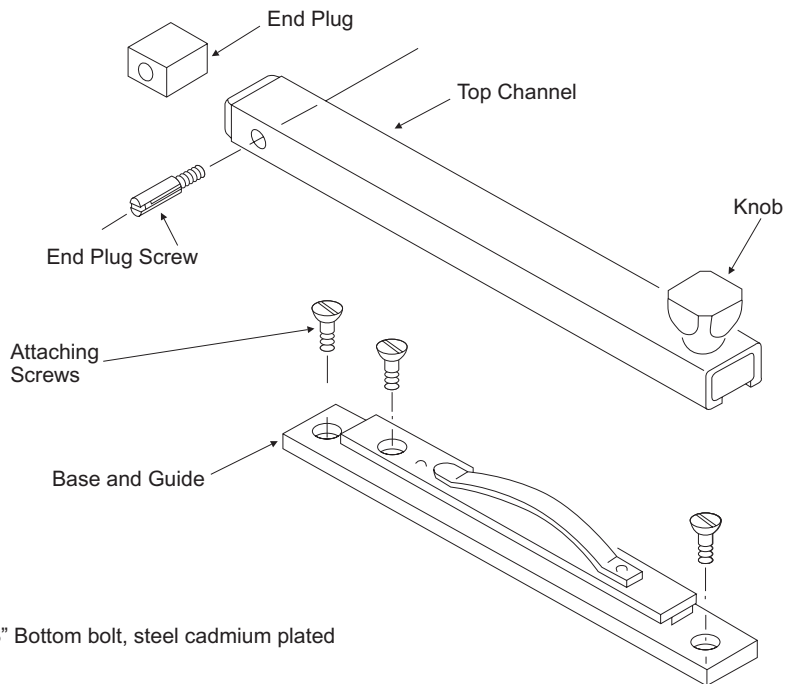
TOP BOLT



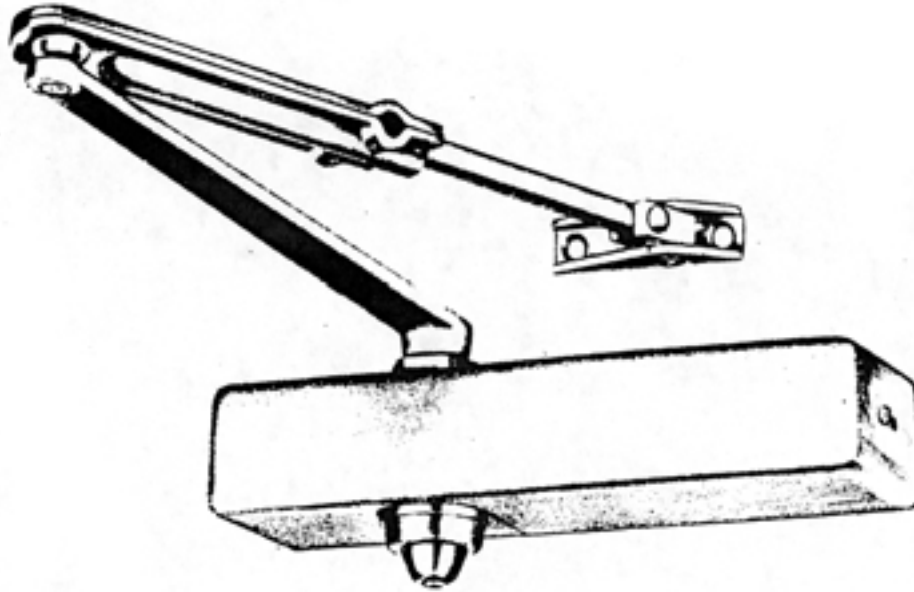
8" Top bolt, steel cadmium plated



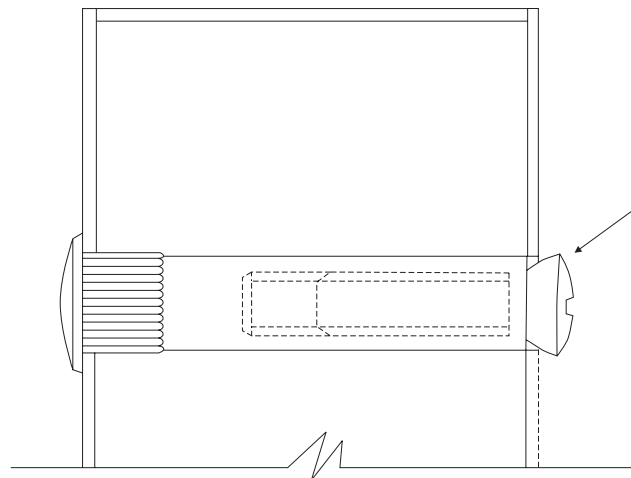
BOTTOM BOLT



8" Bottom bolt, steel cadmium plated



UNIVERSAL NON-HANDED, RACK & PINION CONSTRUCTION. CLOSING AND LATCHING SPEED CONTROLLED BY TWO SEPARATE NEEDLE VALVES. CAN BE INSTALLED REGULAR ARM OR PARALLEL ARM. SILVER ALUMINUM LAQUER FINISH.



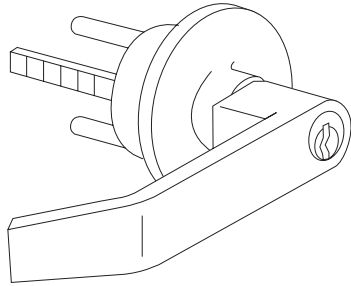
THRU-BOLTS REQUIRED AND FURNISHED.



Fire Exit Device Non-Handed

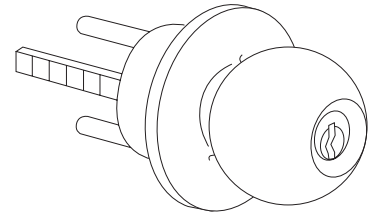
4-10-01

OUTSIDE TRIM  
OPTIONS

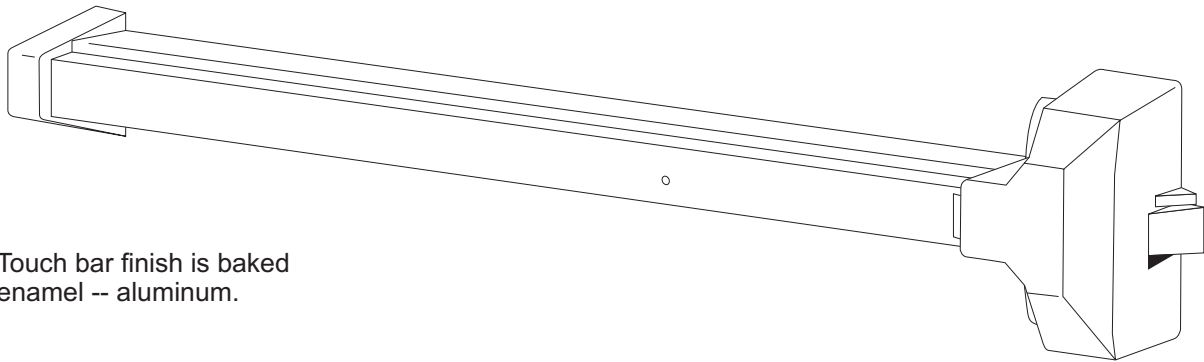


LEVER  
US26D

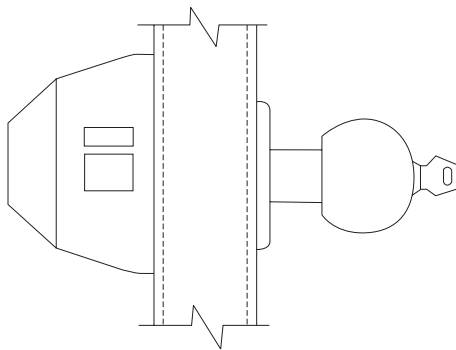
Cylinder locks or  
unlocks knob or lever.  
When unlocked, knob  
or lever retracts  
latchbolt.



KNOB  
US26D



Touch bar finish is baked  
enamel -- aluminum.



(372)  
ENTRANCE and EXIT  
Outside by key and knob

SPECIFICATIONS:

Chassis Mount Construction: Operating mechanism assembled on single chassis which mounts on door; removal of case cover permits inspection/maintenance.

Easy Dogging: Half-turn of hex-dogging key locks flat bar in the depressed position; latchbolts and upper/lower latchbolts/deadbolts held retracted.

Door Thickness: 1-3/4" when used with operating trim.

Door Width: Flat bar length available for two standard door widths; doors 30">36" wide; doors 36">42" wide; flat bar easily field cut to specific width. Available for doors 42">48" wide on special order.

Material: Base and flat bar, steel; covers, high-density rust-resistant alloy.

Minimum Stile Width: 4-1/2"

UL Listed: Panic Hardware.

Reversible Design: Hand can be easily reversed in the field.

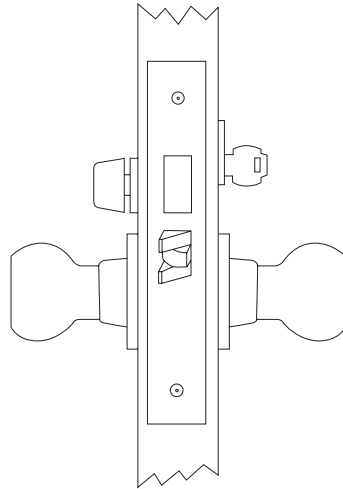


Gov. Series 86-4 Mortise Lockset

4-10-01

Dormitory Lock

Latch bolt by knobs/levers except when outside knob/lever is locked by projecting dead bolt. Key outside retracts deadbolt and unlocks outside knob/lever. Rotating inside knob/lever retracts both locks  
**ENTRY OR OFFICE DOOR LOCK**

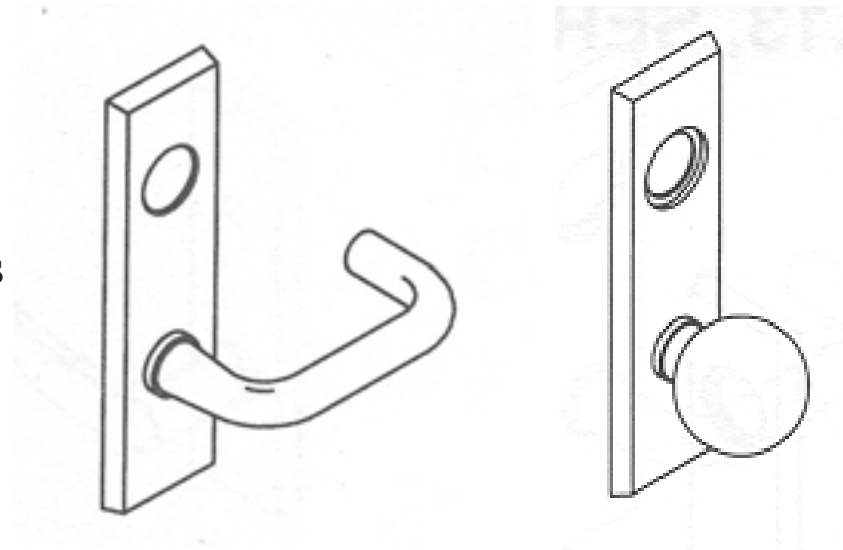


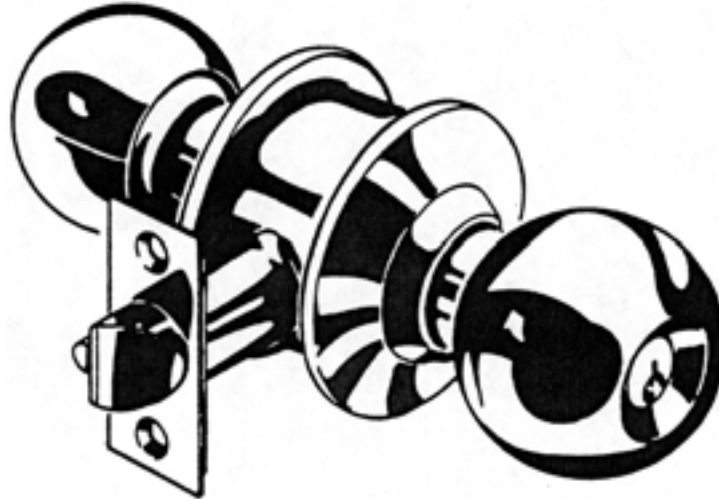
3/4" ANTI-FRICTION  
LATCH BOLT  
1" DEADBOLT

Latch bolt operated by knobs from either side. Dead bolt operated by key from outside and thumb turn inside.

Grade I Lockset

Optional trim styles shown





### STANDARD DUTY CYLINDRICAL LOCKSET

Key outside -- turn button inside. Deadlocking latch by knob both sides. Inside knob always free to retract latch.

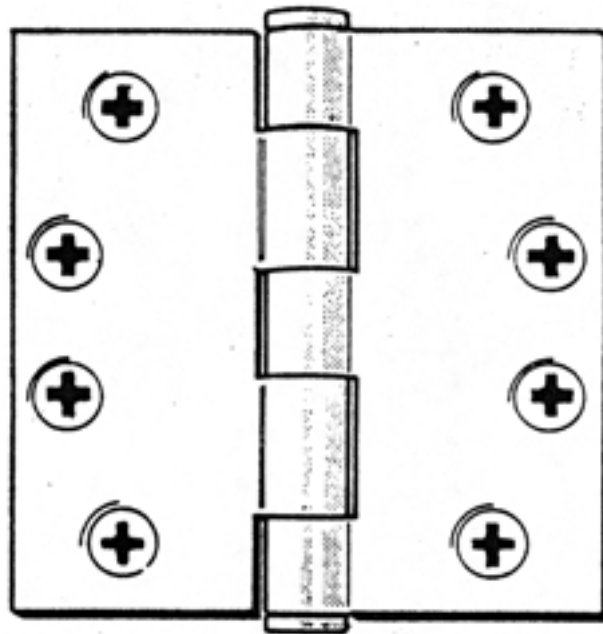
#### FEATURES:

- All solid zinc dichromated steel cylindrical housing
- Finish: US32D
- Panic resistant inside knob always free to open
- Latch bolt: Deadlocking -- full 1/2 inch projection
- Nickel plated brass key
- Solid brass 5 pin tumbler cylinder
- Reversible for right or left hand doors
- For doors with cylindrical lock projection
- Backset: 2 3/4 inches
- Latch Front: 1 1/8 x 2 1/4 inches
- Strike: ANSI universal type -- 1 1/4 x 4 7/8 inches
- Packing: One set per box



Full Mortise Hinge 4 1/2" x 4 1/2" (.134) Gauge

2-11-00



FULL MORTISE 4 1/2" x 4 1/2" (.134) GAUGE, STEEL HINGES.  
FIVE KNUCKLE, BUTTON TIP, FURNISHED (3) PER BOX.

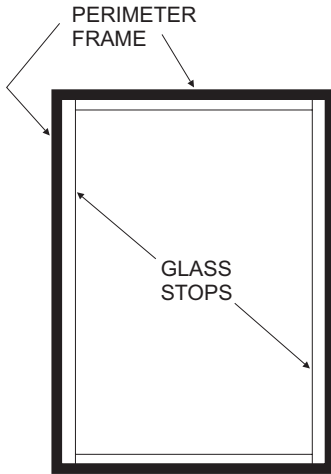
FINISHES: DULL CHROME, OR GRAY PRIME PAINT.

AVAILABLE WITH NON-REMOVEABLE PINS, SUFFIX (N.R.P.)



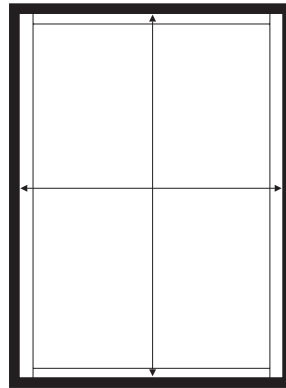
Door Glazing Instruction

2-11-00



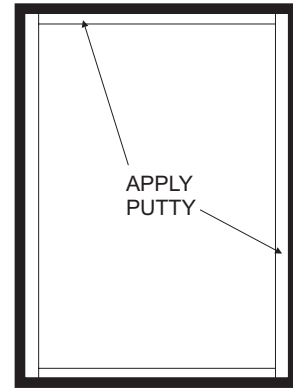
**STEP #1**

REMOVE GLASS TOPS (ONE SIDE) BY PUSHING BEAD IN AND UP WITH THUMBS, BOTTOM BEAD FIRST.



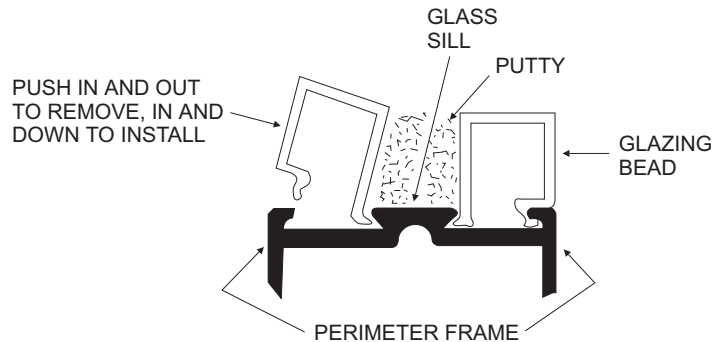
**STEP #2**

MEASURE GLASS SIZE REQUIRED FROM SILL TO SILL. SEE DETAIL A. CUT SIZE OF GLASS 1/4" SMALLER THAN OPENING SIZE.



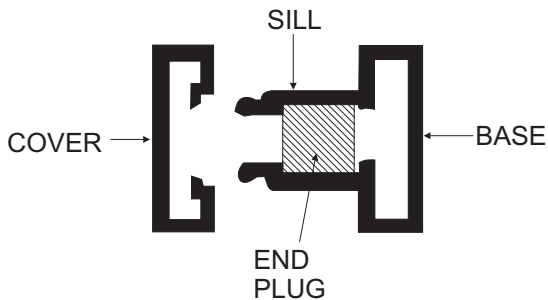
**STEP #3**

APPLY PUTTY ON SILL AND AGAINST OPPOSITE GLAZING BEAD. AVOID PUTTY IN GROOVE FOR BEAD TO BE REPLACED.



**DETAIL A**

**MUNTIN BAR**



**MUNTIN BAR FOR (G2) STYLE DOOR**

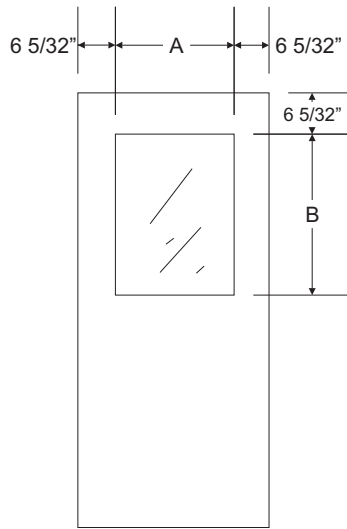
WHEN MUNTIN BAR IS USED TO DIVIDE THE GLASS LITE, FOLLOW ABOVE INSTRUCTIONS EXCEPT: INSTALL LOWER GLASS FIRST, SLIDE MUNTIN BAR DOWN ON TOP EDGE OF GLASS, INSTALL TOP GLASS LITE AND SNAP IN GLAZING BEADS.

NOTE: 1/4" PLATE OR WIRE GLASS IS RECOMMENDED FOR GLAZED DOORS.

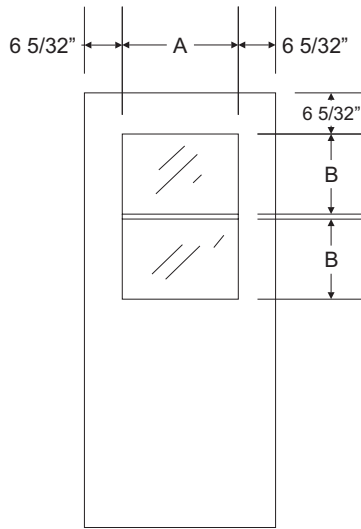


Glazed Door Glass Sizes

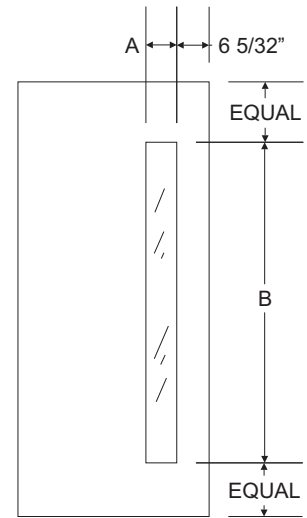
2-11-00



G



G2



LV

**G STYLE DOORS**

DOOR WIDTH	DIMENSION A			DOOR HEIGHT	DIMENSION B		
	CUTOUT SIZE	GLASS SIZE	EXPOSED GLASS		CUTOUT SIZE	GLASS SIZE	EXPOSED GLASS
2-6	17 1/2"	16 3/4"	16"	6-8	26 1/2"	25 3/4"	25"
2-8	19 1/2"	18 3/4"	18"	7-0	30 1/2"	29 3/4"	29"
3-0	23 1/2"	22 3/4"	22"	7-2	32 1/2"	31 3/4"	31"
3-4	27 1/2"	26 3/4"	26"	8-0	42 1/2"	41 3/4"	41"
3-6	29 1/2"	28 3/4"	28"	10 x 10 VISION LITE			
3-8	31 1/2"	30 3/4"	30"	ALL DOORS	11 1/4" x 11 1/4"	10 1/2" x 10 1/2"	9 3/4" x 9 3/4"
4-0	35 1/2"	34 3/4"	34"	CENTER LINE OF VISION LITE 64 1/4" FROM BOTTOM OF DOOR.			

**G2 STYLE DOORS**

DOOR WIDTH	DIMENSION A			DOOR HEIGHT	DIMENSION B		
	CUTOUT SIZE	GLASS SIZE	EXPOSED GLASS		CUTOUT SIZE	GLASS SIZE	EXPOSED GLASS
2-6	17 1/2"	16 3/4"	16"	6-8	26 1/2"	(2) 12 9/16"	24"
2-8	19 1/2"	18 3/4"	18"	7-0	30 1/2"	(2) 14 9/16"	28"
3-0	23 1/2"	22 3/4"	22"	7-2	32 1/2"	(2) 15 9/16"	30"
3-4	27 1/2"	26 3/4"	26"	8-0	42 1/2"	(2) 20 9/16"	40"
3-6	29 1/2"	28 3/4"	28"	NOTE: ALL DIMENSIONS FOR CUTOUTS MADE FROM HIGH SIDE OF BEVEL.			
3-8	31 1/2"	30 3/4"	30"				
4-0	35 1/2"	34 3/4"	34"				

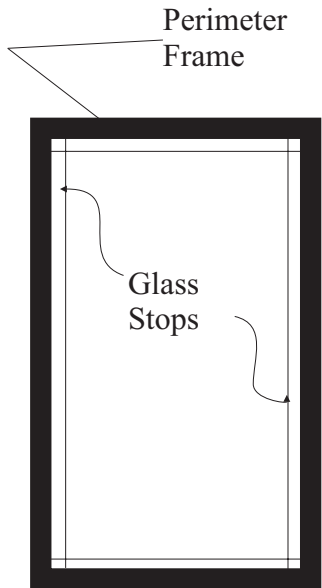
**LV STYLE DOORS**

DOOR WIDTH	DIMENSION A			DOOR HEIGHT	DIMENSION B		
	CUTOUT SIZE	GLASS SIZE	EXPOSED GLASS		CUTOUT SIZE	GLASS SIZE	EXPOSED GLASS
ALL DOORS	9 1/2"	8 3/4"	8"	ALL DOORS	63 1/2"	62 3/4"	62"



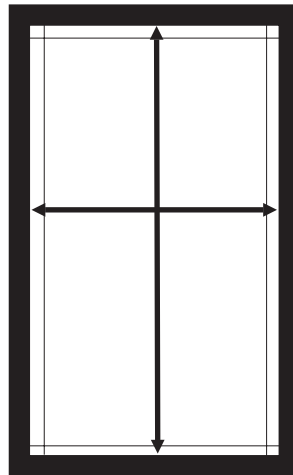
Door Glazing Instructions

4-10-01

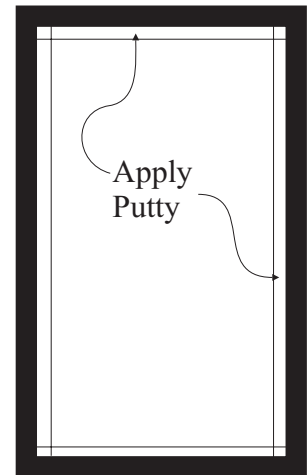


**STEP #1**  
Remove glass stops (one side) by pushing bead in and up with thumbs, bottom bead first.

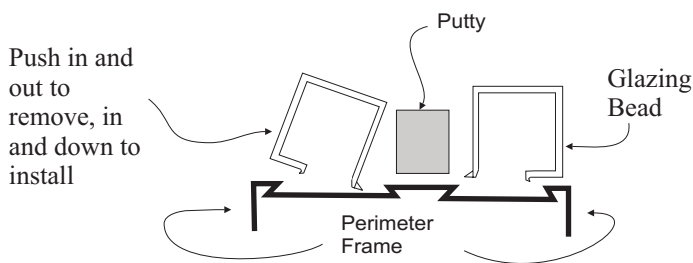
**NOTE:** 1/4" Tempered plate or wire glass is recommended for glazed doors.



**STEP #2**  
Measure glass size req'd from sill to sill, see detail (A), cut size of glass 1/4" smaller than opening size



**STEP #3**  
Apply putty on sill and against opposite glazing bead. Avoid putty in groove for bead to be replaced.



Detail "A"

Muntin Bar for G2 Door

When muntin bar is used to divide the glass lite, follow above instruction except: install lower glass first, slide muntin bar down on top edge of glass, install top glass lite

Muntin Bar

