



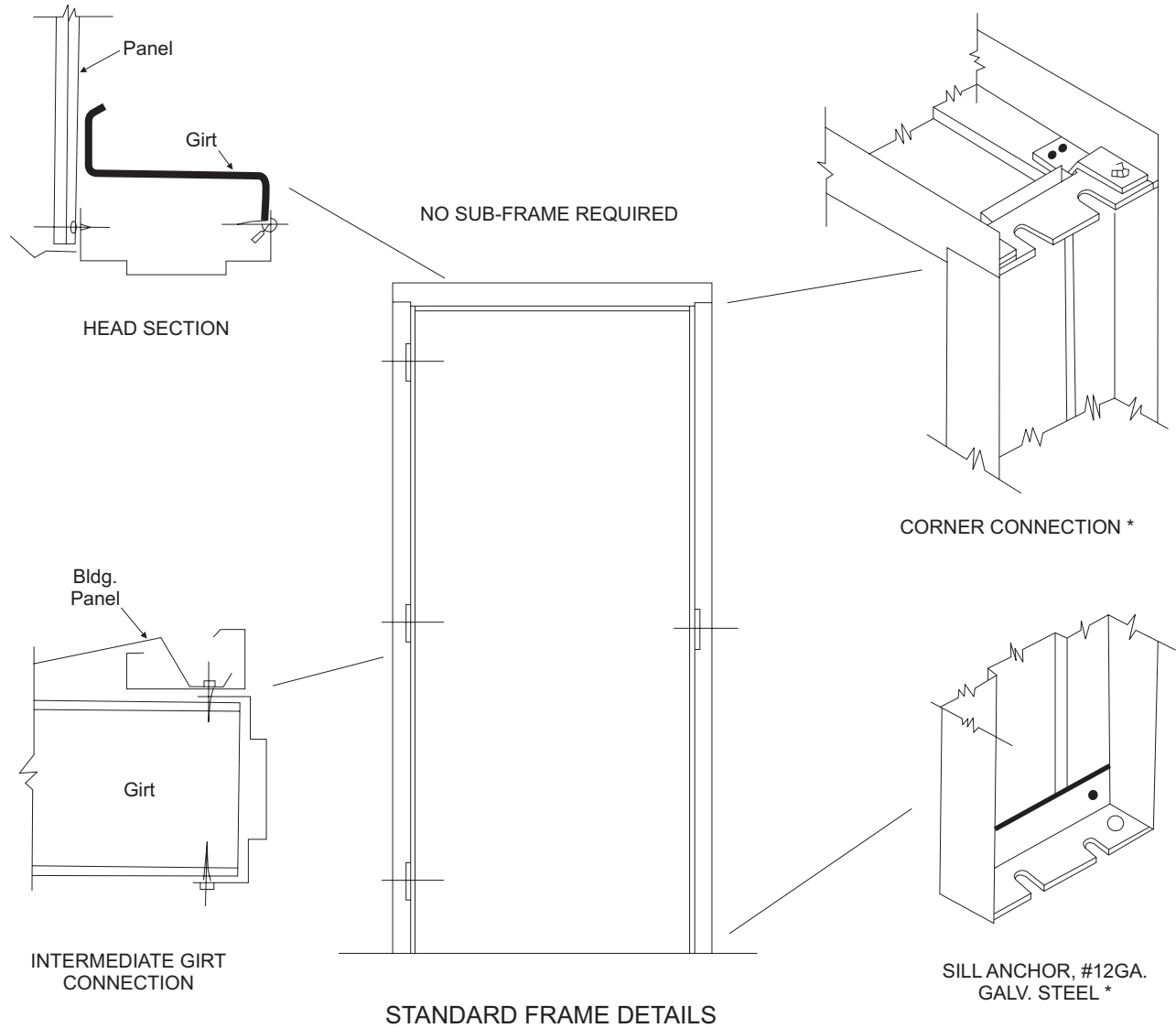
Typical Frame Assembly 12.1
4 1/4" Frame Depth and Hardware Locations 12.2
Frame Depths and Hardware Locations 12.3
Frame Head Dimensions 12.4
Hinge Jamb Hinge Locations 12.5
Lock Jamb Strike Location A.S.A. Universal 12.6



Typical Frame Assembly

1-15-05

TYPICAL FRAME ASSEMBLY



NOTE: (HEAD TO JAMBS) NUTS AND BOLTS FURNISHED WITH FRAME. SILL ANCHOR BOLTS BY OTHERS. HEAD AND SILL ANCHORS WELDED TO FRAME.

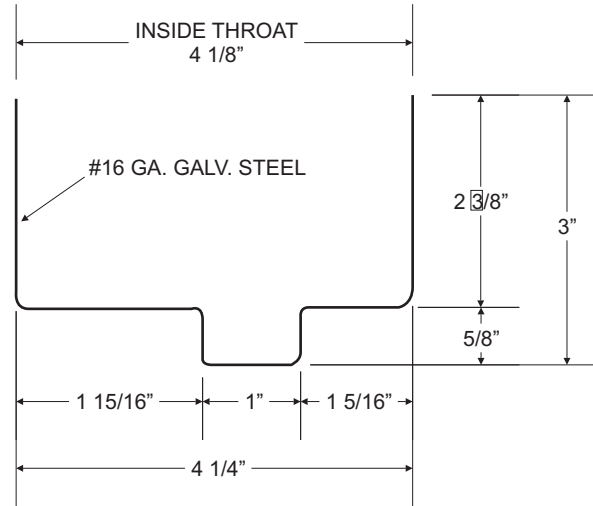
* SLOTS IN CORNER CONNECTION AND SILL ANCHOR OMITTED IN 4 1/4", 6 1/4", 7 1/4", 10 1/4", AND 12 1/4" FRAMES.



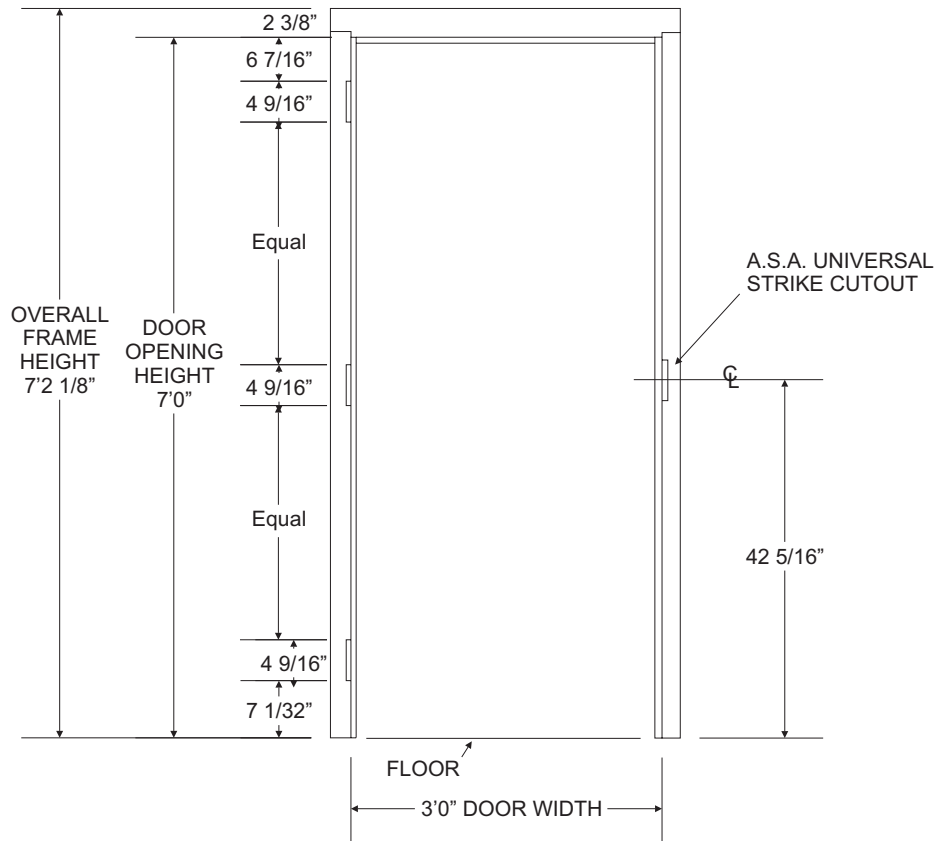
4 1/4" Frame Depth and Hardware Locations

1-11-05

4 1/4" DEPTH FRAME



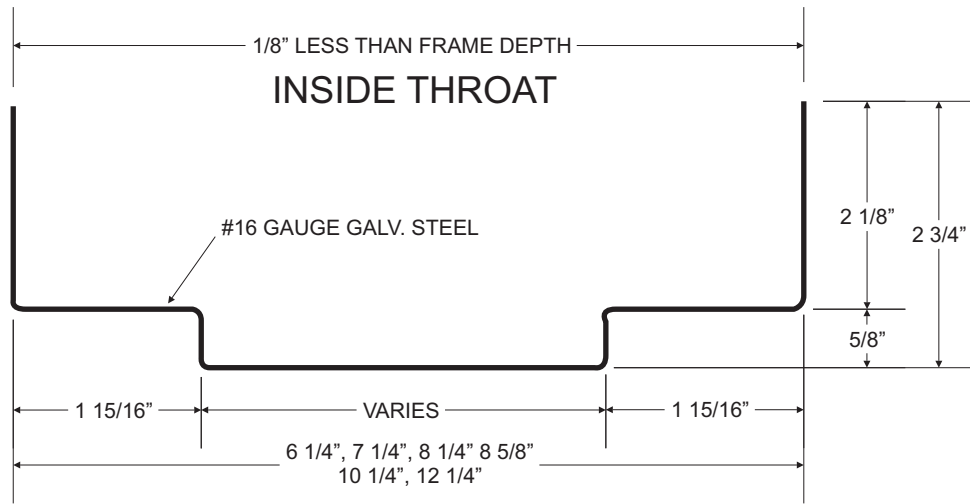
TYPICAL 3070 FRAME



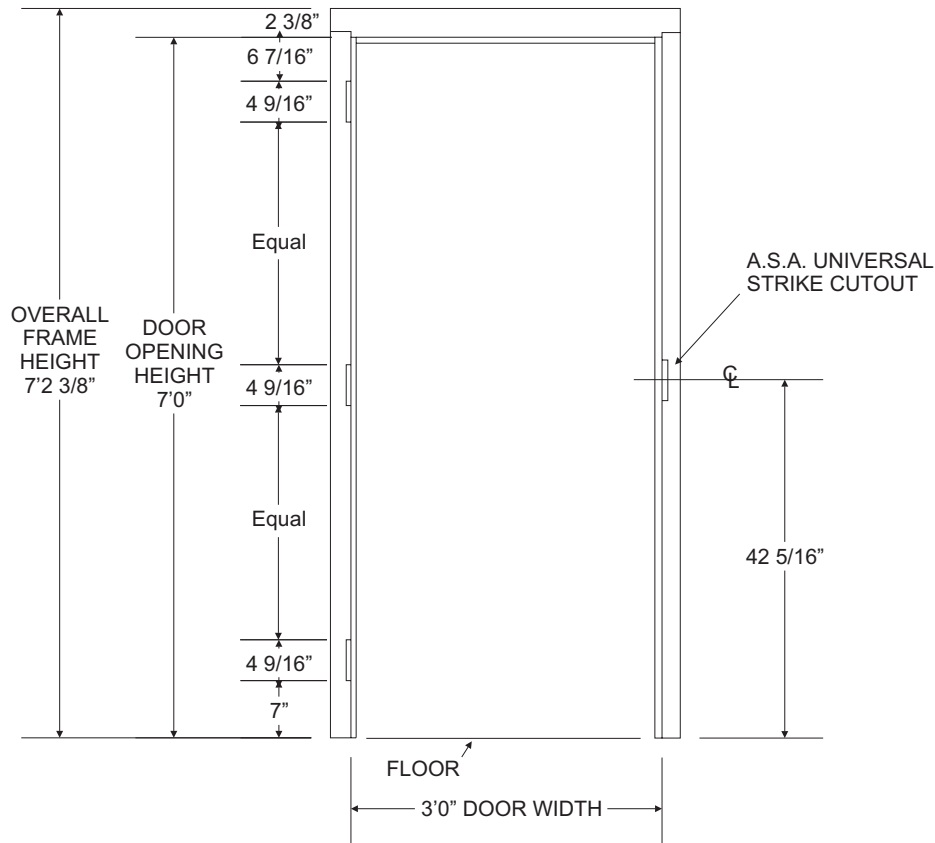


Frame Depths and Hardware Locations

1-11-05



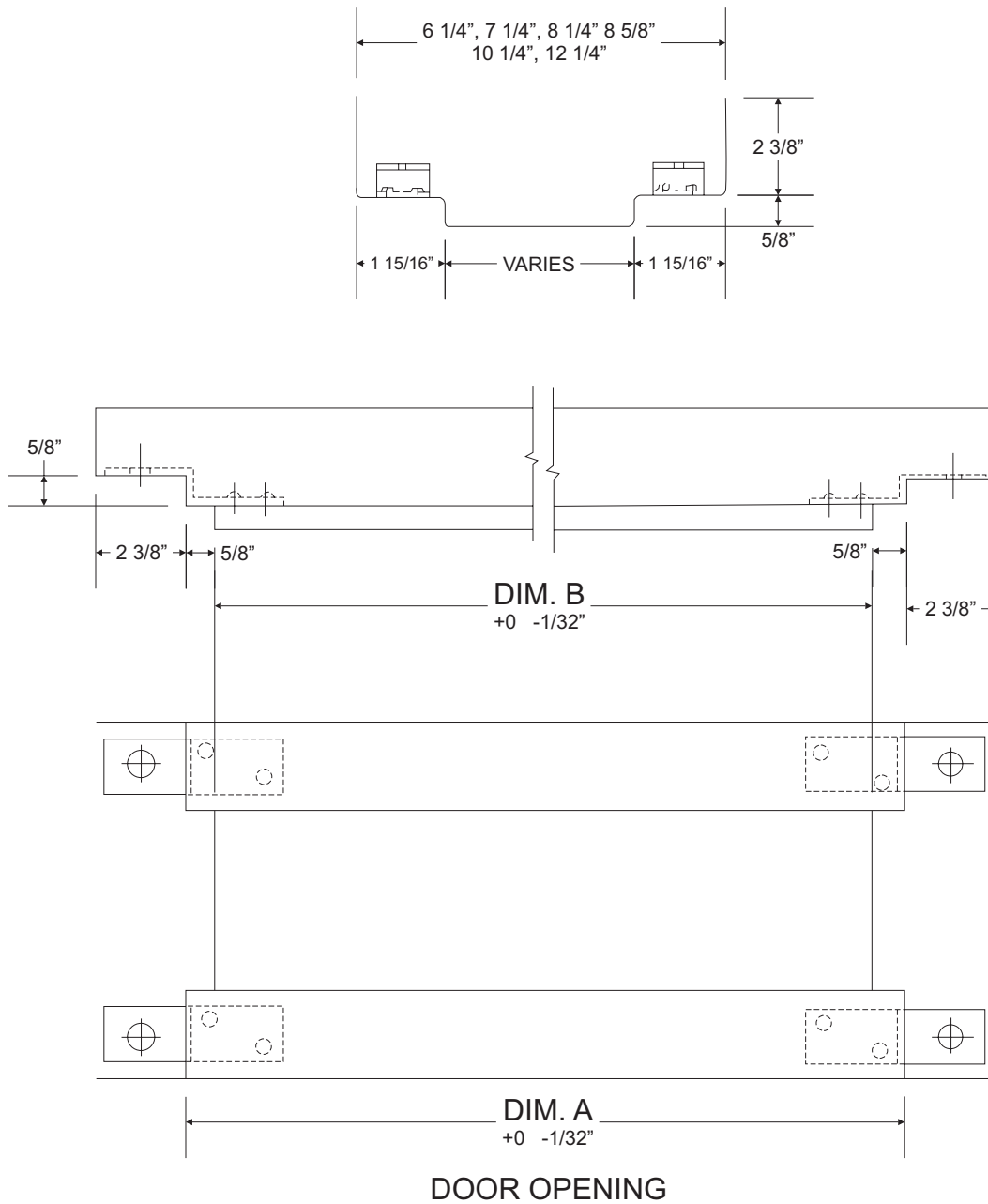
TYPICAL 3070 M.B. FRAME





Frame Head Dimensions

1-11-05

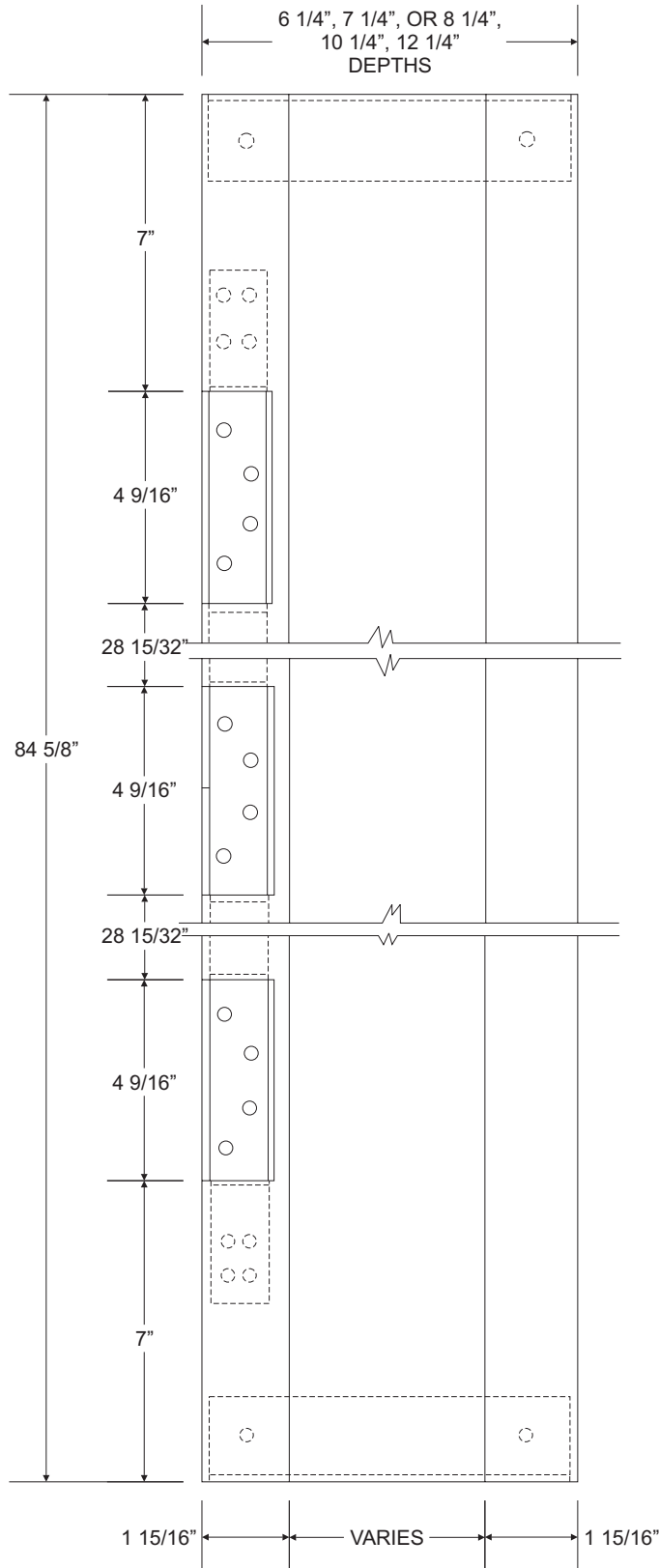


SINGLE SWING			DOUBLE SWING		
DOOR	DIM. A	DIM. B	DOORS	DIM. A	DIM. B
2 0	2-0"	1-10 3/4"	4 0	4-0"	3-10 3/4"
2 4	2-4"	2-2 3/4"	4 8	4-8"	4-6 3/4"
2 6	2-6"	2-4 3/4"	5 0	5-0"	4-10 3/4"
2 8	2-8"	2-6 3/4"	5 4	5-4"	5-2 3/4"
3 0	3-0"	2-10 3/4"	6 0	6-0"	5-10 3/4"
3 4	3-4"	3-2 3/4"	6 8	6-8"	6-6 3/4"
3 8	3-8"	3-6 3/4"	7 4	7-4"	7-2 3/4"
4 0	4-0"	3-10 3/4"	8 0	8-0"	7-10 3/4"



Hinge Jamb Hinge Locations

1-11-05



Dimensions calculated with
tolerance +/- 1/32"



Lock Jamb Strike Location A.S.A. Universal

1-11-05

