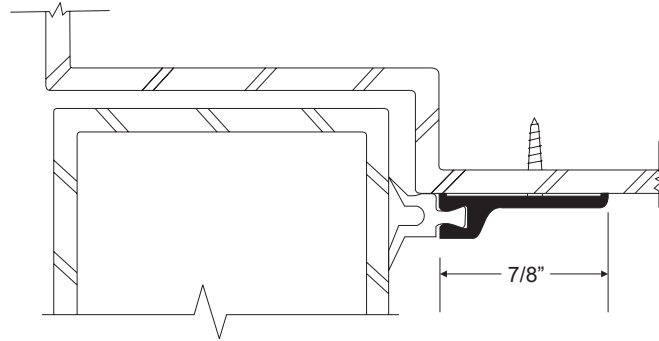
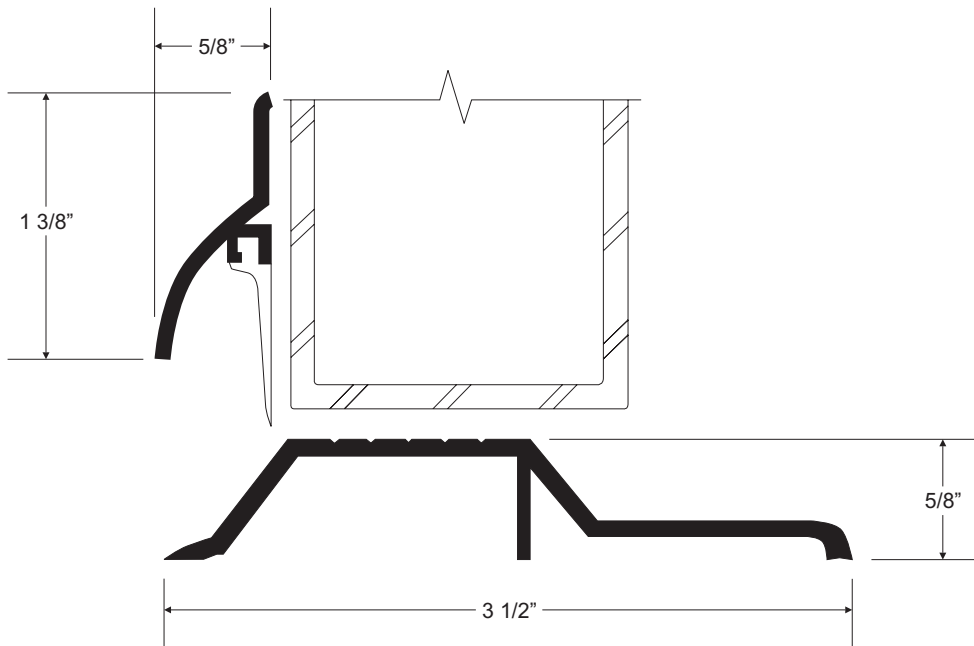




AMSCO Aluminum Threshold and Weatherstrip UH.1
Heavy Duty 8" Slide Bolt Installation Instructions UH.2
Door Closer Heavy Duty Type UH.3
Fire Exit Device Non-Handed by Key in Knob Outside UH.4
Gov. Series 86-4 Mortise Lockset UH.5
Standard Duty Cylindrical Lockset UH.6
Full Mortise Hinge 4 1/2" x 4 1/2" (.134) Gauge UH.7
Door Glazing Instruction UH.8
Glazed Doors Glass Sizes UH.9



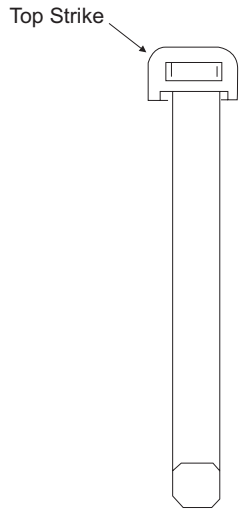
WEATHERSTRIP



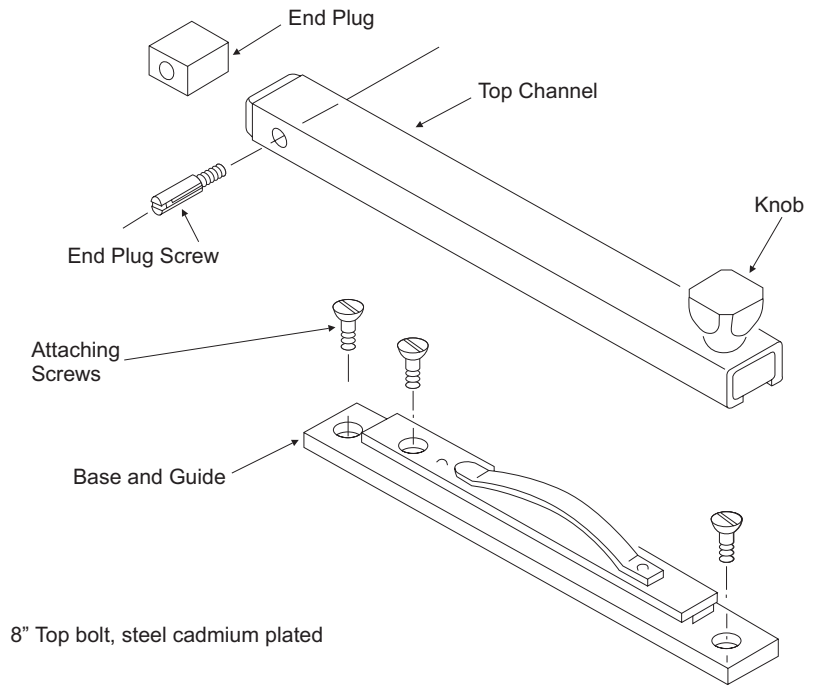
THRESHOLD & DRIPSTRIP



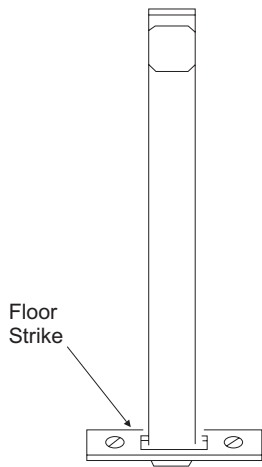
Heavy Duty 8" Slide Bolt Installation Instructions 2-11-00



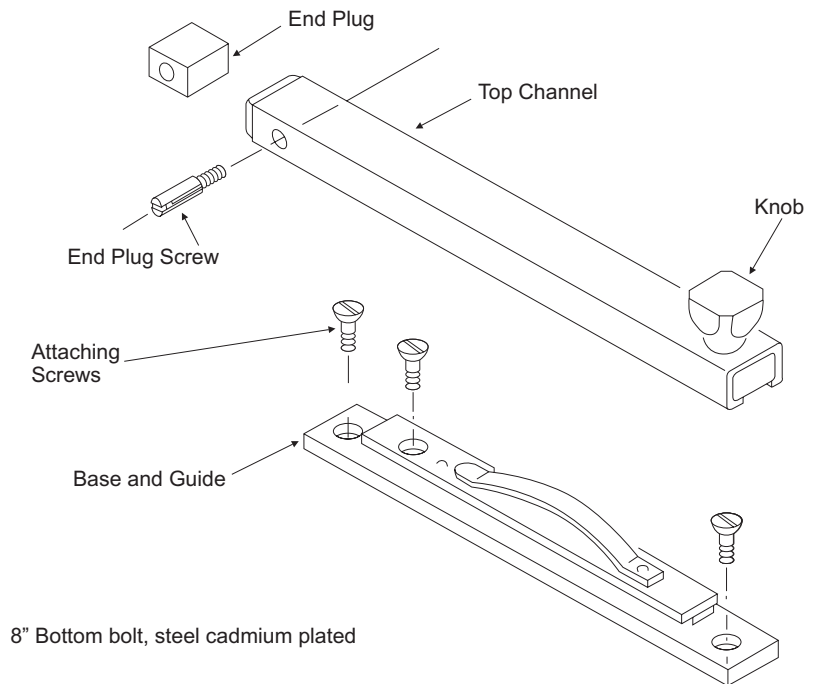
TOP BOLT



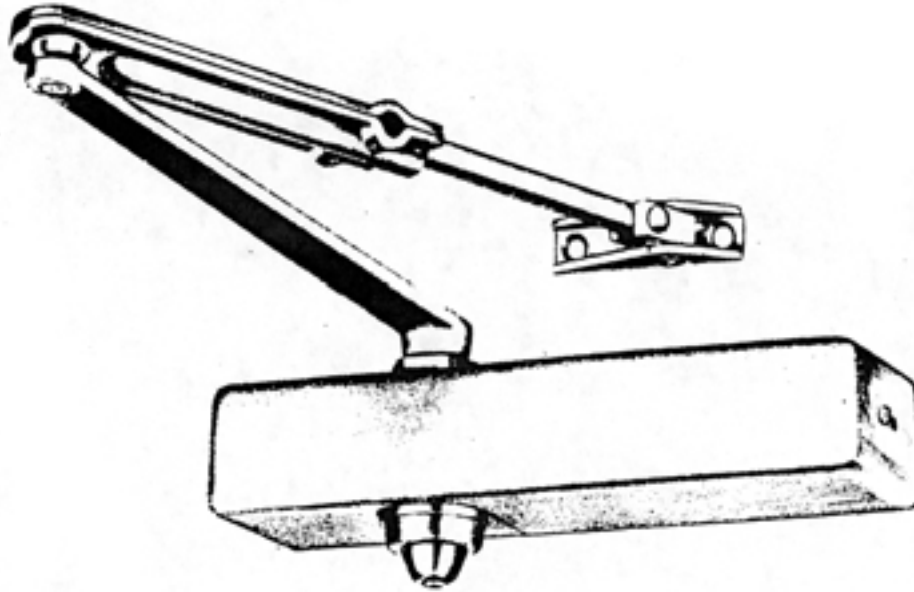
8" Top bolt, steel cadmium plated



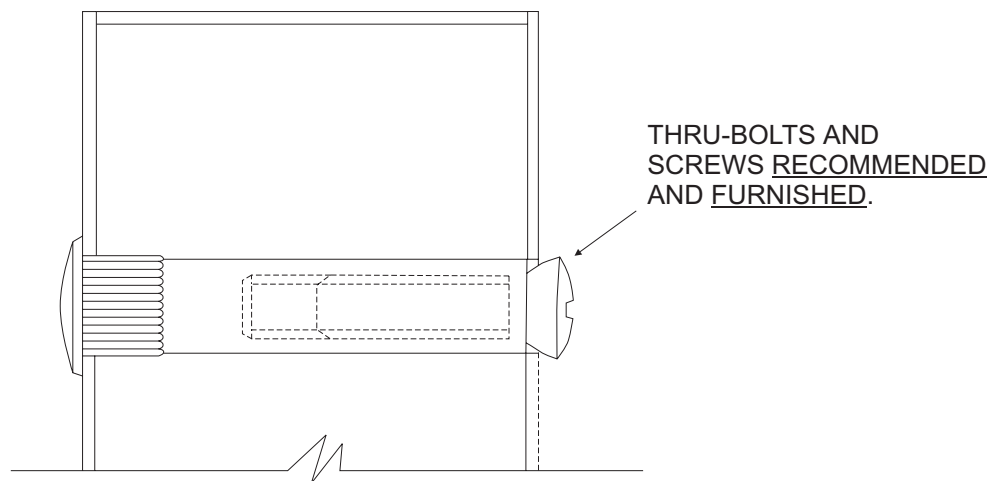
BOTTOM BOLT

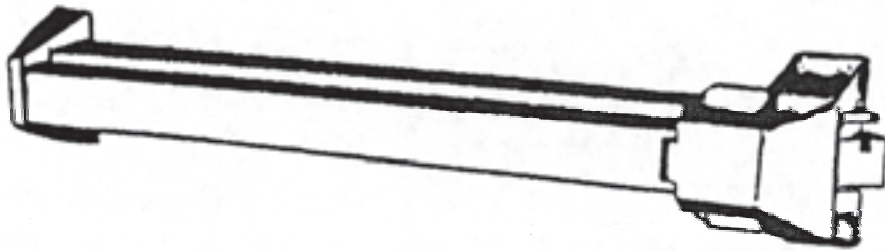


8" Bottom bolt, steel cadmium plated



UNIVERSAL NON-HANDED, RACK & PINION CONSTRUCTION.
CLOSING AND LATCHING SPEED CONTROLLED BY TWO
SEPARATE NEEDLE VALVES. CAN BE INSTALLED REGULAR
ARM OR PARALLEL ARM. SILVER ALUMINUM LAQUER FINISH.

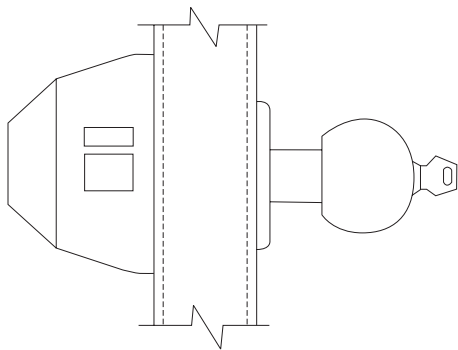




SIZE: Nominal Push Bar Width for 3'0" Wide Doors.



Strike



(372)
ENTRANCE and EXIT
Outside by key and knob

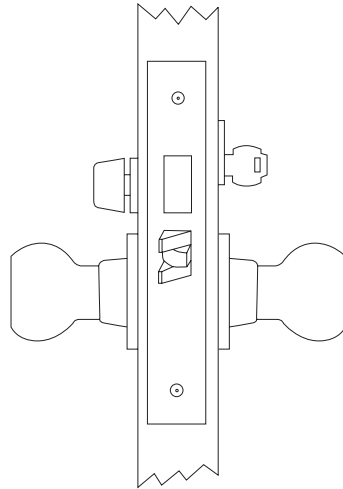


OUTSIDE KNOB TRIM
(Austin)

Knob: 2 1/8" dia.
Rose: 2 7/8" dia.
26D (Satin Chromium Plated)

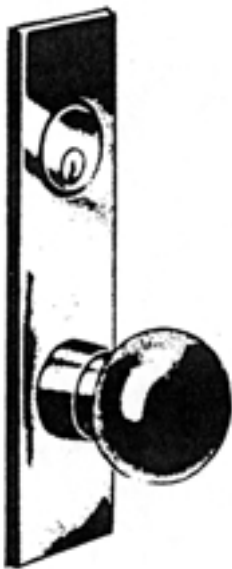


ENTRY OR OFFICE DOOR LOCK



M2540
5/8" ANTI-FRICTION
LATCH BOLT
3/4" DEADBOLT

Latch bolt operated by knobs from either side. Dead bolt operated by key from outside and thumb turn inside.



HANA-NAPA

SYMBOL - HN

KNOB:

2 1/4" DIAMETER, 2 7/8" PROJECTION

MATERIAL:

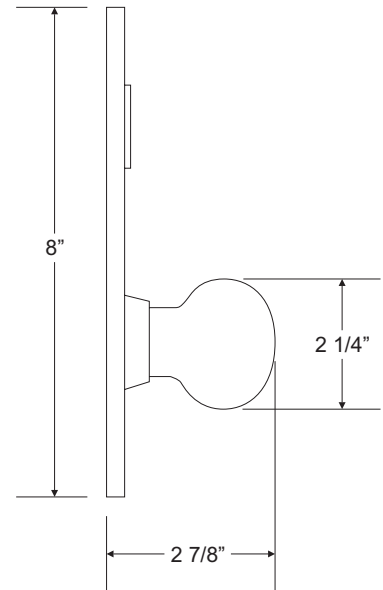
WROUGHT BRASS, BRONZE & ALUMINUM
(MINIMUM) WROUGHT BRASS, BRONZE, &
ALUMINUM (WHEN SPECIFIED)
WROUGHT STAINLESS STEEL

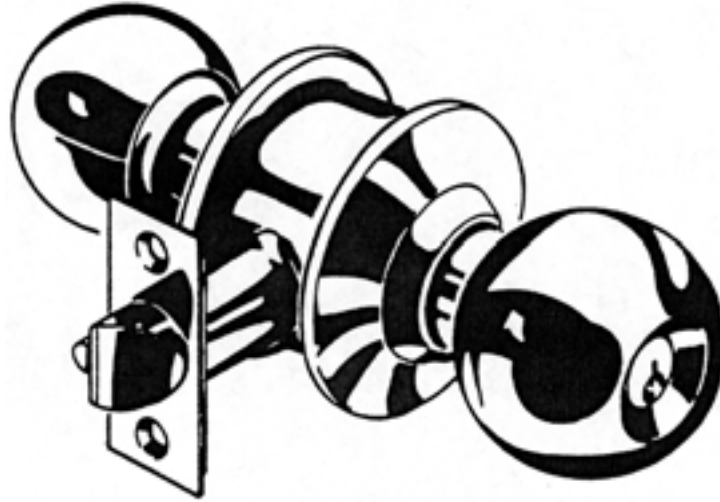
ESCUTCHEON:

2 1/4" x 8"

MATERIAL:

WROUGHT BRASS, BRONZE, ALUMINUM, &
STAINLESS STEEL



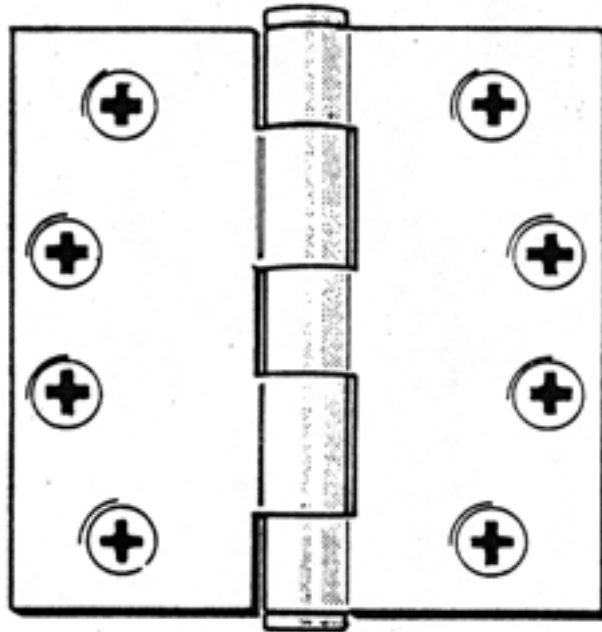


STANDARD DUTY CYLINDRICAL LOCKSET

Key outside -- turn button inside. Deadlocking latch by knob both sides. Inside knob always free to retract latch.

FEATURES:

- All solid zinc dichromated steel cylindrical housing
- Finish: US32D
- Panic resistant inside knob always free to open
- Latch bolt: Deadlocking -- full 1/2 inch projection
- Nickel plated brass key
- Solid brass 5 pin tumbler cylinder
- Reversible for right or left hand doors
- For doors with cylindrical lock projection
- Backset: 2 3/4 inches
- Latch Front: 1 1/8 x 2 1/4 inches
- Strike: ANSI universal type -- 1 1/4 x 4 7/8 inches
- Packing: One set per box



FULL MORTISE 4 1/2" x 4 1/2" (.134) GAUGE, STEEL HINGES.
FIVE KNUCKLE, BUTTON TIP, FURNISHED (3) PER BOX.

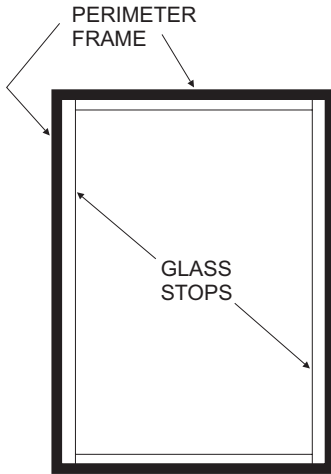
FINISHES: DULL CHROME, OR GRAY PRIME PAINT.

AVAILABLE WITH NON-REMOVEABLE PINS, SUFFIX (N.R.P.)



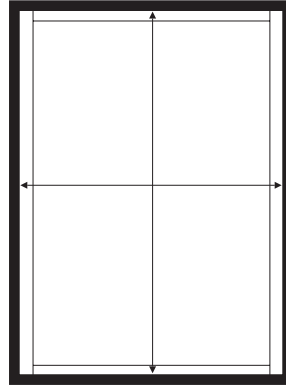
Door Glazing Instruction

2-11-00



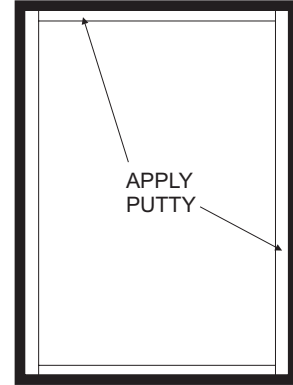
STEP #1

REMOVE GLASS TOPS (ONE SIDE) BY PUSHING BEAD IN AND UP WITH THUMBS, BOTTOM BEAD FIRST.



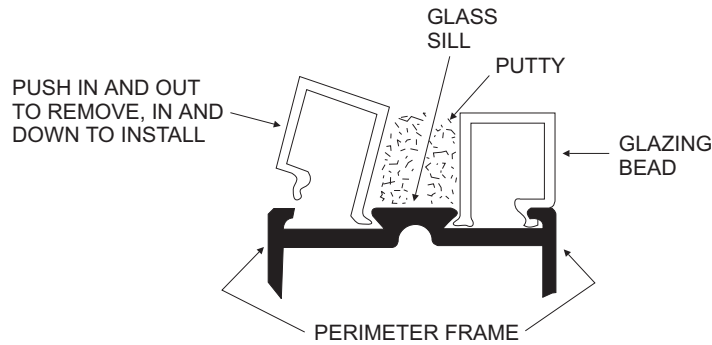
STEP #2

MEASURE GLASS SIZE REQUIRED FROM SILL TO SILL. SEE DETAIL A. CUT SIZE OF GLASS 1/4" SMALLER THAN OPENING SIZE.



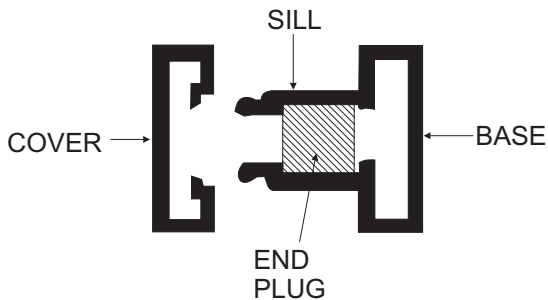
STEP #3

APPLY PUTTY ON SILL AND AGAINST OPPOSITE GLAZING BEAD. AVOID PUTTY IN GROOVE FOR BEAD TO BE REPLACED.



DETAIL A

MUNTIN BAR



MUNTIN BAR FOR (G2) STYLE DOOR

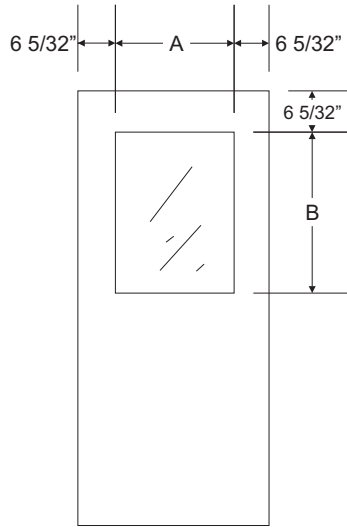
WHEN MUNTIN BAR IS USED TO DIVIDE THE GLASS LITE, FOLLOW ABOVE INSTRUCTIONS EXCEPT: INSTALL LOWER GLASS FIRST, SLIDE MUNTIN BAR DOWN ON TOP EDGE OF GLASS, INSTALL TOP GLASS LITE AND SNAP IN GLAZING BEADS.

NOTE: 1/4" PLATE OR WIRE GLASS IS RECOMMENDED FOR GLAZED DOORS.

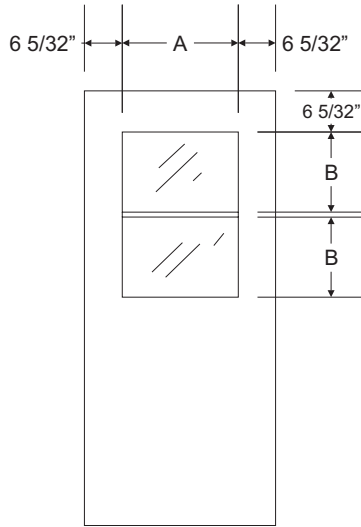


Glazed Door Glass Sizes

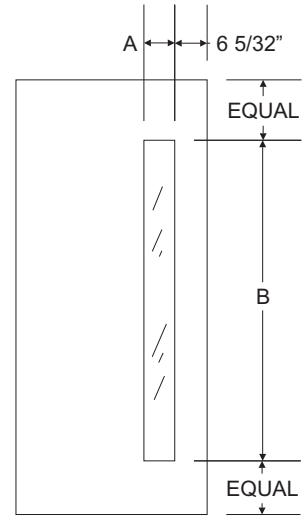
2-11-00



G



G2



LV

G STYLE DOORS

DOOR WIDTH	DIMENSION A			DOOR HEIGHT	DIMENSION B		
	CUTOUT SIZE	GLASS SIZE	EXPOSED GLASS		CUTOUT SIZE	GLASS SIZE	EXPOSED GLASS
2-6	17 1/2"	16 3/4"	16"	6-8	26 1/2"	25 3/4"	25"
2-8	19 1/2"	18 3/4"	18"	7-0	30 1/2"	29 3/4"	29"
3-0	23 1/2"	22 3/4"	22"	7-2	32 1/2"	31 3/4"	31"
3-4	27 1/2"	26 3/4"	26"	8-0	42 1/2"	41 3/4"	41"
3-6	29 1/2"	28 3/4"	28"	10 x 10 VISION LITE			
3-8	31 1/2"	30 3/4"	30"	ALL DOORS	11 1/4" x 11 1/4"	10 1/2" x 10 1/2"	9 3/4" x 9 3/4"
4-0	35 1/2"	34 3/4"	34"	CENTER LINE OF VISION LITE 64 1/4" FROM BOTTOM OF DOOR.			

G2 STYLE DOORS

DOOR WIDTH	DIMENSION A			DOOR HEIGHT	DIMENSION B		
	CUTOUT SIZE	GLASS SIZE	EXPOSED GLASS		CUTOUT SIZE	GLASS SIZE	EXPOSED GLASS
2-6	17 1/2"	16 3/4"	16"	6-8	26 1/2"	(2) 12 9/16"	24"
2-8	19 1/2"	18 3/4"	18"	7-0	30 1/2"	(2) 14 9/16"	28"
3-0	23 1/2"	22 3/4"	22"	7-2	32 1/2"	(2) 15 9/16"	30"
3-4	27 1/2"	26 3/4"	26"	8-0	42 1/2"	(2) 20 9/16"	40"
3-6	29 1/2"	28 3/4"	28"	NOTE: ALL DIMENSIONS FOR CUTOUTS MADE FROM HIGH SIDE OF BEVEL.			
3-8	31 1/2"	30 3/4"	30"				
4-0	35 1/2"	34 3/4"	34"				

LV STYLE DOORS

DOOR WIDTH	DIMENSION A			DOOR HEIGHT	DIMENSION B		
	CUTOUT SIZE	GLASS SIZE	EXPOSED GLASS		CUTOUT SIZE	GLASS SIZE	EXPOSED GLASS
ALL DOORS	9 1/2"	8 3/4"	8"	ALL DOORS	63 1/2"	62 3/4"	62"