

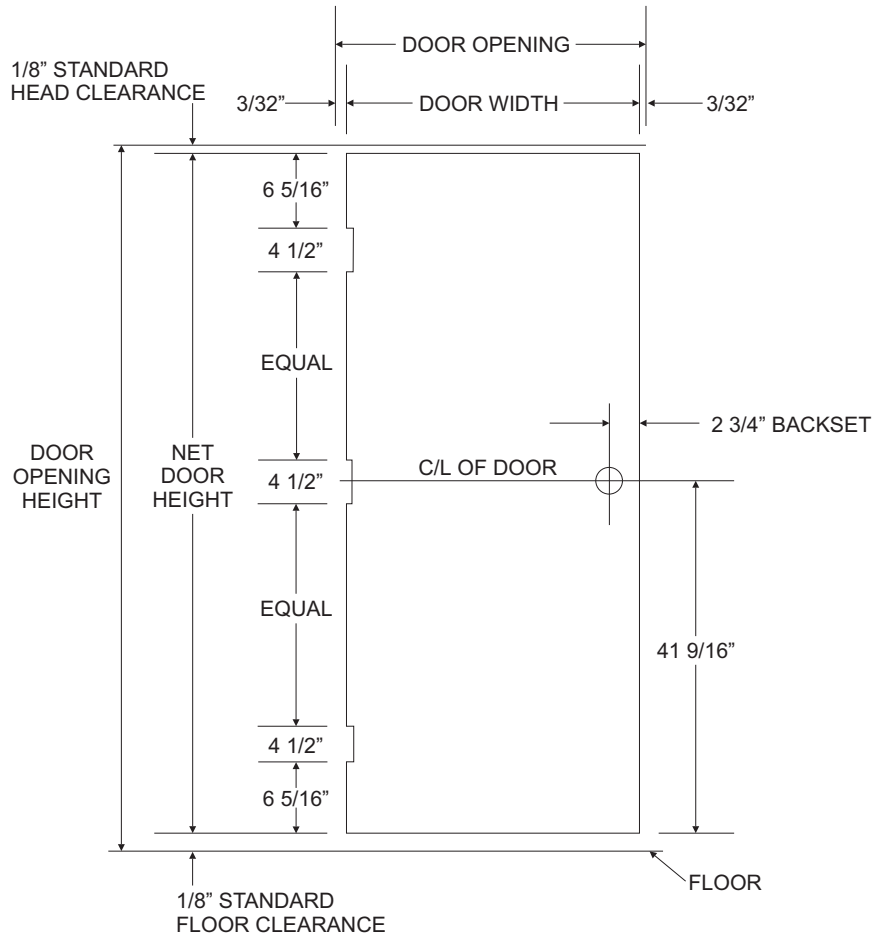


Door Styles and Hardware Locations UD.1  
Door Hinge Preparation UD.2  
Cylindrical Lock Reinforcement Gov. 161 Series UD.3  
Mortise Lockset Reinforcement Gov. Series 86-4 UD.4  
Overlapping Astragal Application UD.5  
Hand and Swing Chart UD.6



Door Styles and Hardware Locations

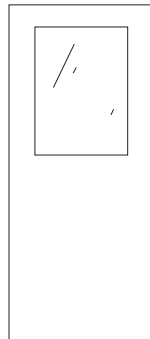
2-11-00



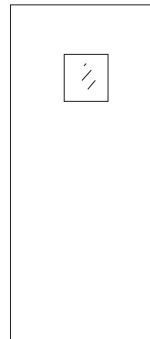
M



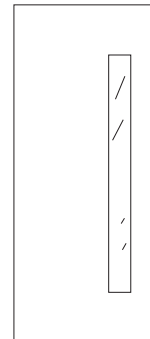
G



V



LV

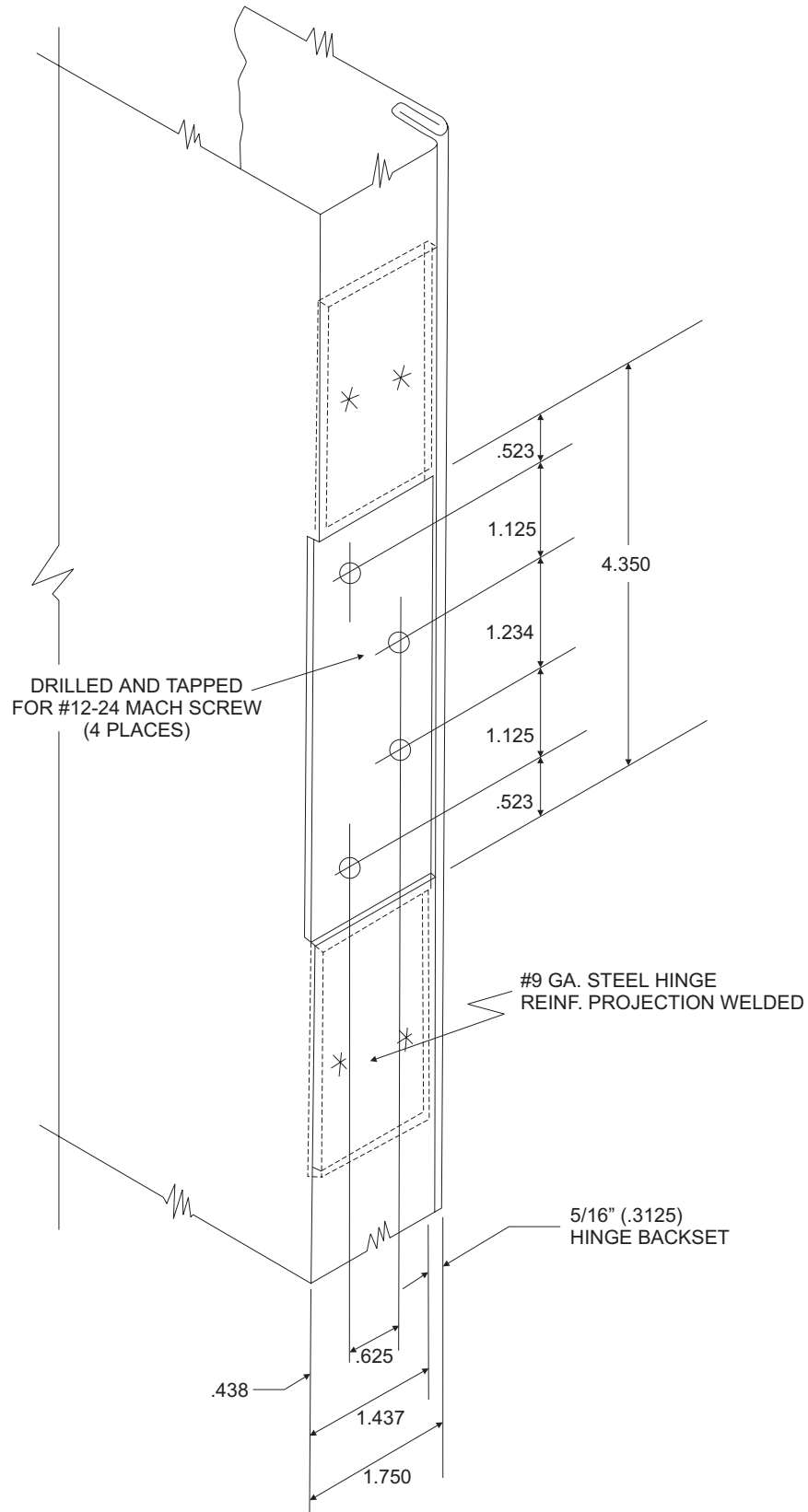


POPULAR STYLES



Door Hinge Preparation

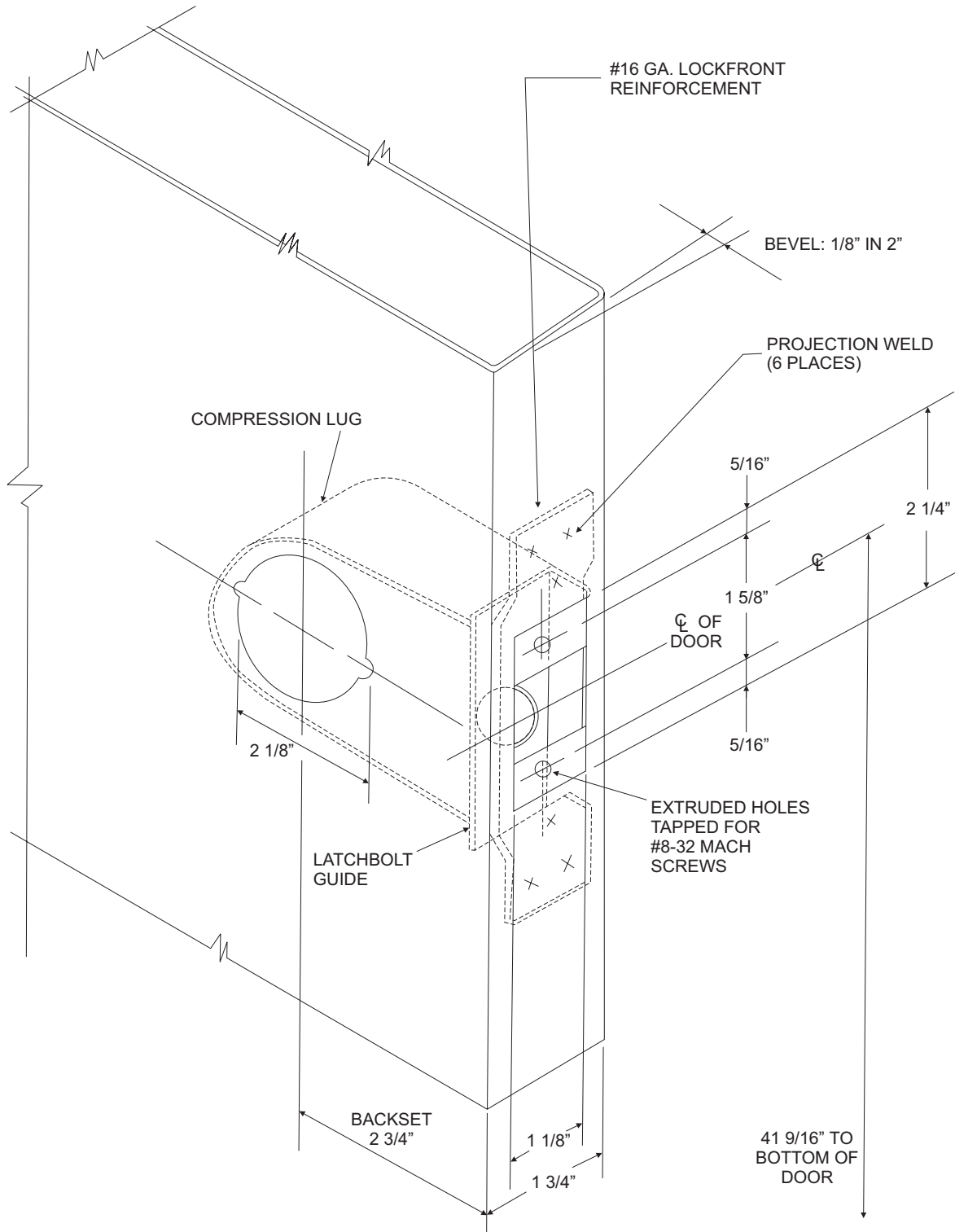
2-11-00





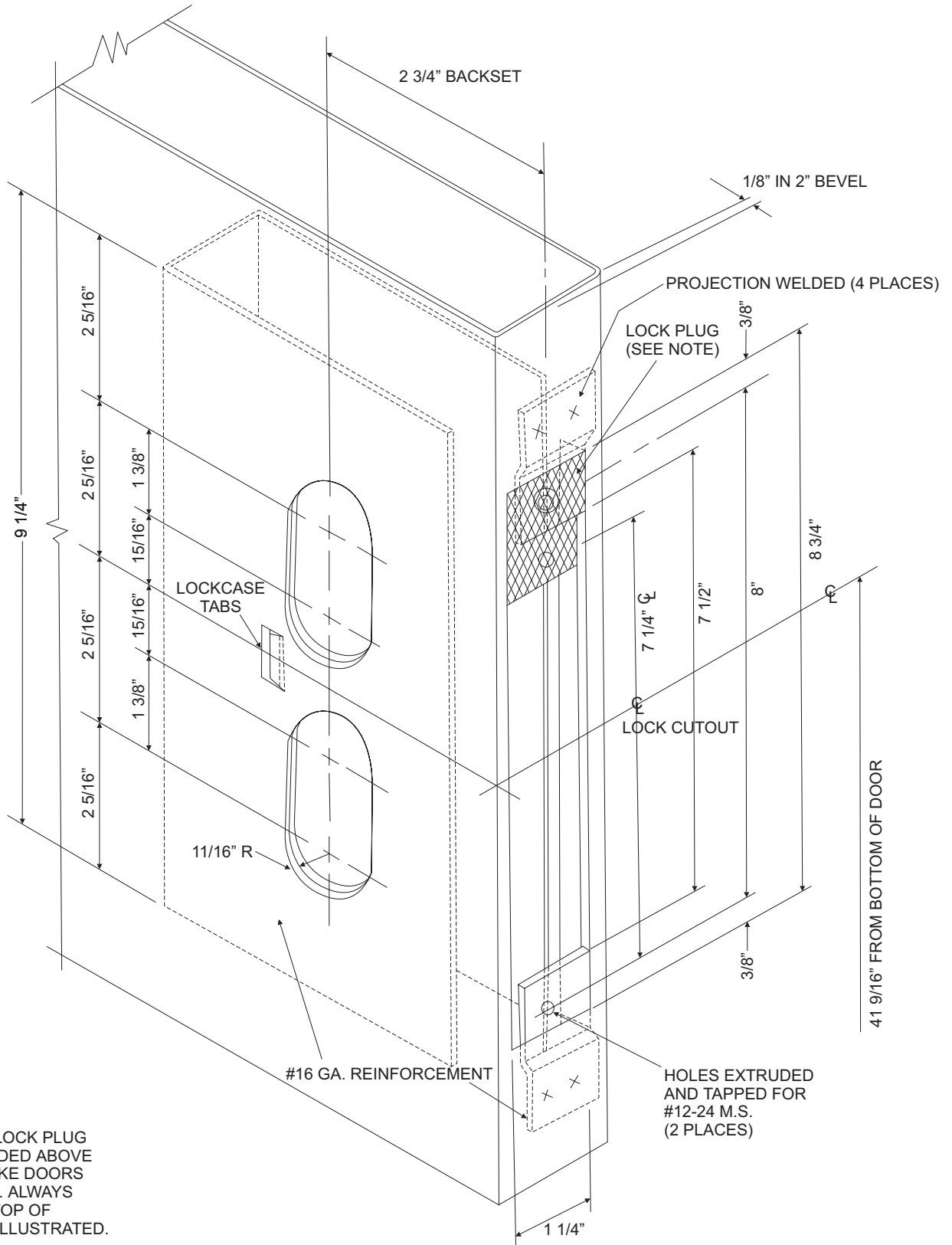
Cylindrical Lock Reinforcement Gov. 161 Series

2-11-00





Mortise Lockset Reinforcement Gov. Series 86-4 2-11-00



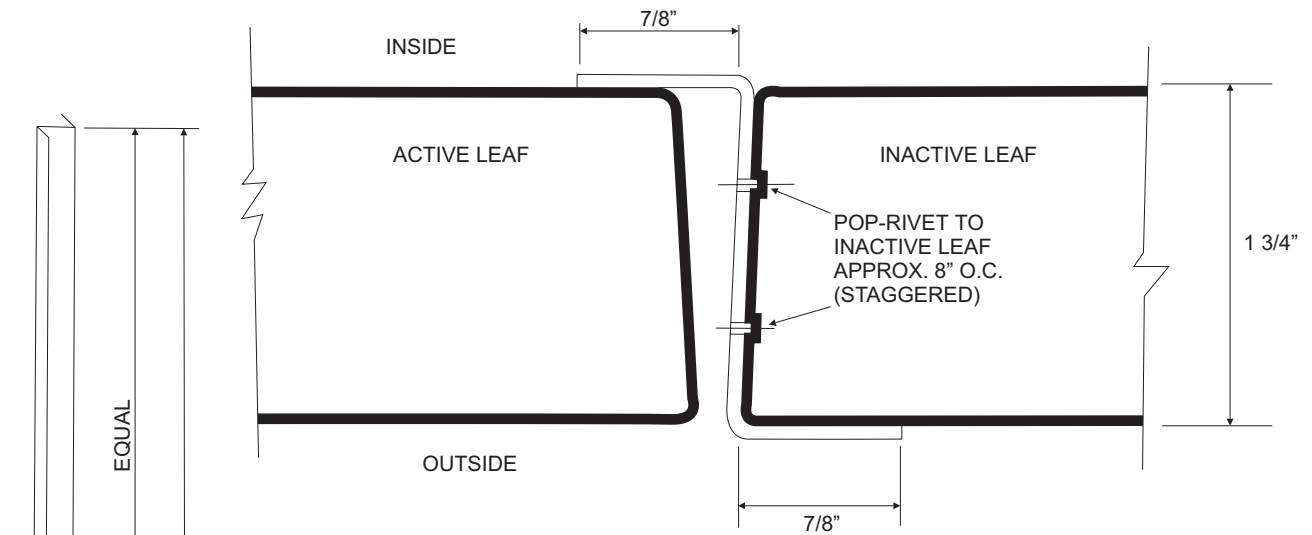
NOTE:  
UNIVERSAL LOCK PLUG  
SHOWN SHADED ABOVE  
USED TO MAKE DOORS  
REVERSIBLE. ALWAYS  
ATTACH TO TOP OF  
CUTOUT AS ILLUSTRATED.



Overlapping Astragal Application

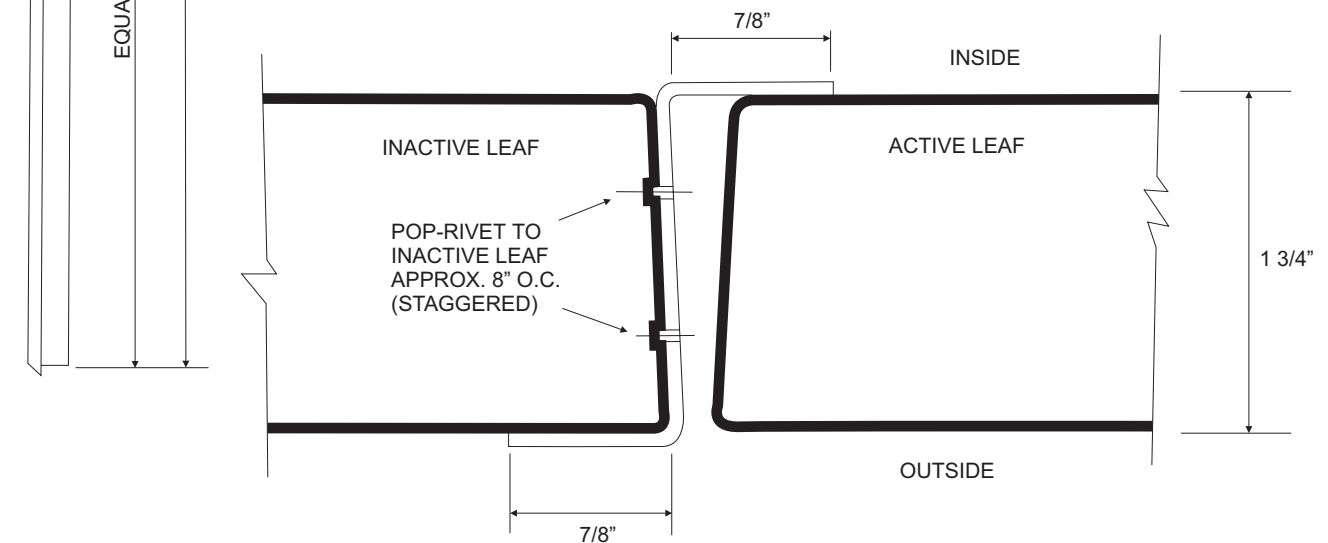
2-11-00

**LHRA**



LEFT HAND REVERSE ACTIVE SHOWN ABOVE.  
RIGHT HAND REVERSE ACTIVE SHOWN BELOW.

**RHRA**

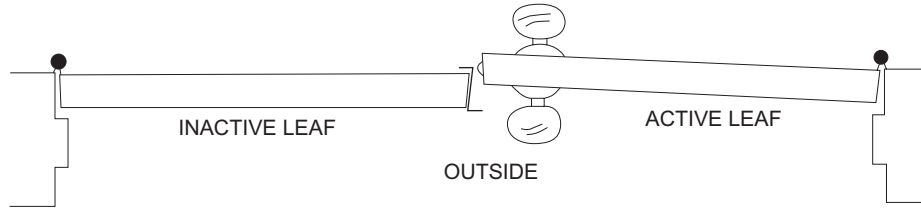




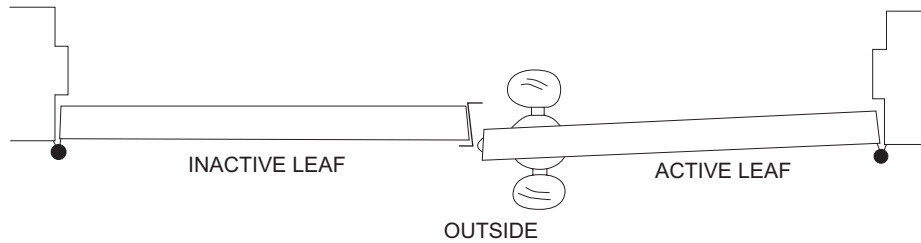
Hand and Swing Chart

2-11-00

RIGHT HAND ACTIVE (RHA)



RIGHT HAND ACTIVE (RHRA)



NOTE: ON PAIRS OF DOORS SHOWN ABOVE, SPECIFY ACTIVE LEAF.

